

CORONE TRIPLE

Corona tripla

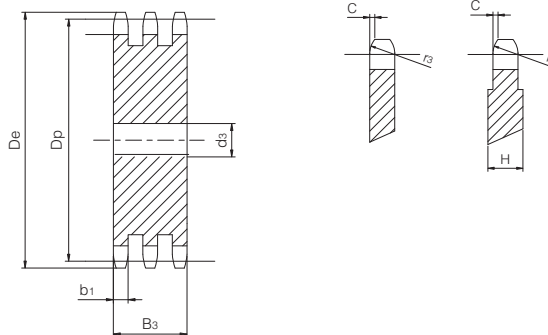
per catene a rulli secondo DIN 8187 - ISO/R 606

ISO 06B-3

Passo 3/8" x 7/32"



CORONA	[mm]
Raggio dente r_3	10
Larghezza raggio C	1
Larghezza dente b_1	5,2
Larghezza dente B_3	25,6
Largh. H (con $Z \geq 100$)	7
CATENA	[mm]
Passo	9,525
Larghezza interna	5,72
Rullo \varnothing	6,35



Z	De [mm]	Dp [mm]	d3 [mm]	W [kg]	Codice
8	28,00	24,89	8	0,09	QCT06B3-008
9	31,00	27,85	8	0,11	QCT06B3-009
10	34,00	30,82	10	0,13	QCT06B3-010
11	37,00	33,80	10	0,16	QCT06B3-011
12	40,00	36,80	10	0,19	QCT06B3-012
13	43,00	39,79	10	0,23	QCT06B3-013
14	46,30	42,80	12	0,26	QCT06B3-014
15	49,30	45,81	12	0,31	QCT06B3-015
16	52,30	48,82	12	0,35	QCT06B3-016
17	55,30	51,83	12	0,40	QCT06B3-017
18	58,30	54,85	12	0,45	QCT06B3-018
19	61,30	57,87	12	0,50	QCT06B3-019
20	64,30	60,89	12	0,56	QCT06B3-020
21	68,00	63,91	14	0,61	QCT06B3-021
22	71,00	66,93	14	0,68	QCT06B3-022
23	73,50	69,95	14	0,74	QCT06B3-023
24	77,00	72,97	14	0,81	QCT06B3-024
25	80,00	76,02	14	0,88	QCT06B3-025
26	83,00	79,02	14	0,96	QCT06B3-026
27	86,00	82,02	14	1,03	QCT06B3-027
28	89,00	85,07	14	1,11	QCT06B3-028
29	92,00	88,09	14	1,20	QCT06B3-029
30	94,70	91,12	14	1,28	QCT06B3-030
31	98,30	94,15	16	1,36	QCT06B3-031
32	101,30	97,17	16	1,45	QCT06B3-032
33	104,30	100,20	16	1,55	QCT06B3-033
34	107,30	103,23	16	1,65	QCT06B3-034
35	110,40	106,26	16	1,75	QCT06B3-035
36	113,40	109,29	16	1,85	QCT06B3-036
37	116,40	112,32	16	1,96	QCT06B3-037
38	119,50	115,35	16	2,07	QCT06B3-038
39	122,50	118,37	16	2,18	QCT06B3-039
40	125,50	121,40	16	2,30	QCT06B3-040
41	128,50	124,43	16	2,41	QCT06B3-041
42	131,60	127,46	16	2,53	QCT06B3-042
43	134,60	130,49	16	2,66	QCT06B3-043
44	137,60	133,52	16	2,79	QCT06B3-044

Z	De [mm]	Dp [mm]	d3 [mm]	W [kg]	Codice
45	140,70	136,55	16	2,92	QCT06B3-045
46	143,70	139,58	16	3,05	QCT06B3-046
47	146,70	142,61	16	3,18	QCT06B3-047
48	149,70	145,64	16	3,32	QCT06B3-048
49	152,70	148,66	16	3,46	QCT06B3-049
50	155,70	151,69	16	3,61	QCT06B3-050
51	158,70	154,72	20	3,73	QCT06B3-051
52	161,80	157,75	20	3,88	QCT06B3-052
53	164,80	160,78	20	4,04	QCT06B3-053
54	167,80	163,82	20	4,19	QCT06B3-054
55	170,80	166,85	20	4,35	QCT06B3-055
56	173,80	169,88	20	4,52	QCT06B3-056
57	176,90	172,91	20	4,68	QCT06B3-057
58	179,90	175,93	20	4,85	QCT06B3-058
59	183,00	178,96	20	5,02	QCT06B3-059
60	186,00	181,99	20	5,19	QCT06B3-060
62	192,10	188,06	20	5,55	QCT06B3-062
64	198,20	194,12	20	5,92	QCT06B3-064
65	201,60	197,15	20	6,11	QCT06B3-065
66	204,60	200,18	25	6,26	QCT06B3-066
68	210,70	206,24	25	6,65	QCT06B3-068
70	216,70	212,30	25	7,05	QCT06B3-070
72	222,80	218,37	25	7,47	QCT06B3-072
75	231,90	227,46	25	8,11	QCT06B3-075
76	234,90	230,49	25	8,33	QCT06B3-076
78	241,00	236,55	25	8,78	QCT06B3-078
80	247,10	242,61	25	9,24	QCT06B3-080
85	262,20	257,77	25	10,45	QCT06B3-085
90	277,40	272,93	25	11,73	QCT06B3-090
95	292,50	288,08	25	13,08	QCT06B3-095
100	307,70	303,25	25	14,50	QCT06B3-100
110	338,00	333,55	25	17,57	QCT06B3-110
114	349,50	345,68	25	18,88	QCT06B3-114
120	368,30	363,86	25	20,93	QCT06B3-120
125	383,50	379,02	25	22,71	QCT06B3-125

Materiale: C45 (Fe360B con $Z \geq 41$)

De Diametro esterno mm
 Dp Diametro primitivo mm
 W Peso kg

Corona tripla

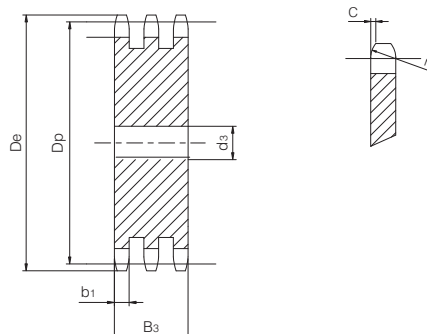
per catene a rulli secondo DIN 8187 - ISO/R 606

ISO 08B-3

Passo 1/2" x 5/16"



CORONA	[mm]
Raggio dente r_3	13
Larghezza raggio C	1,3
Larghezza dente b_1	7
Larghezza dente B_3	34,9
CATENA	[mm]
Passo	12,7
Larghezza interna	7,75
Rullo \varnothing	8,51



Z	D _e [mm]	D _p [mm]	d ₃ [mm]	W [kg]	Codice
8	37,00	33,18	10	0,21	QCT08B3-008
9	41,00	37,13	10	0,27	QCT08B3-009
10	45,20	41,10	10	0,34	QCT08B3-010
11	48,70	45,07	12	0,40	QCT08B3-011
12	53,00	49,07	12	0,49	QCT08B3-012
13	57,40	53,06	12	0,57	QCT08B3-013
14	61,80	57,07	12	0,67	QCT08B3-014
15	65,50	61,09	12	0,77	QCT08B3-015
16	69,50	65,10	16	0,86	QCT08B3-016
17	73,60	69,11	16	0,97	QCT08B3-017
18	77,80	73,14	16	1,10	QCT08B3-018
19	81,70	77,16	16	1,23	QCT08B3-019
20	85,80	81,19	16	1,37	QCT08B3-020
21	89,70	85,22	16	1,51	QCT08B3-021
22	93,80	89,24	16	1,66	QCT08B3-022
23	98,20	93,27	16	1,82	QCT08B3-023
24	101,80	97,29	16	1,99	QCT08B3-024
25	105,80	101,33	16	2,16	QCT08B3-025
26	110,00	105,36	16	2,34	QCT08B3-026
27	114,00	109,40	16	2,53	QCT08B3-027
28	118,00	113,42	16	2,73	QCT08B3-028
29	122,00	117,46	16	2,93	QCT08B3-029
30	126,10	121,50	16	3,14	QCT08B3-030
31	130,20	125,54	20	3,32	QCT08B3-031
32	134,30	129,56	20	3,54	QCT08B3-032
33	138,40	133,60	20	3,77	QCT08B3-033
34	142,60	137,64	20	4,01	QCT08B3-034
35	146,70	141,68	20	4,26	QCT08B3-035
36	151,00	145,72	20	4,51	QCT08B3-036
37	154,60	149,76	20	4,77	QCT08B3-037
38	158,60	153,80	20	5,03	QCT08B3-038
39	162,70	157,83	20	5,30	QCT08B3-039
40	166,80	161,87	20	5,58	QCT08B3-040
41	171,40	165,91	25	5,82	QCT08B3-041
42	175,40	169,94	25	6,11	QCT08B3-042
43	179,70	173,98	25	6,41	QCT08B3-043
44	183,80	178,03	25	6,72	QCT08B3-044
45	188,00	182,07	25	7,04	QCT08B3-045
46	192,10	186,10	25	7,36	QCT08B3-046
47	196,20	190,14	25	7,69	QCT08B3-047

Z	D _e [mm]	D _p [mm]	d ₃ [mm]	W [kg]	Codice
48	200,30	194,18	25	8,02	QCT08B3-048
49	204,30	198,22	25	8,37	QCT08B3-049
50	208,30	202,26	25	8,72	QCT08B3-050
51	212,10	206,30	25	9,08	QCT08B3-051
52	216,10	210,34	25	9,44	QCT08B3-052
53	220,20	214,37	25	9,81	QCT08B3-053
54	224,10	218,43	25	10,19	QCT08B3-054
55	228,10	222,46	25	10,58	QCT08B3-055
56	232,20	226,50	25	10,97	QCT08B3-056
57	236,40	230,54	25	11,37	QCT08B3-057
58	240,50	234,58	25	11,78	QCT08B3-058
59	244,50	238,62	25	12,19	QCT08B3-059
60	248,60	242,66	25	12,61	QCT08B3-060
62	256,90	250,74	25	13,47	QCT08B3-062
64	265,10	258,80	25	14,36	QCT08B3-064
65	269,00	262,86	25	14,82	QCT08B3-065
66	273,00	266,91	25	15,29	QCT08B3-066
68	281,00	274,99	25	16,23	QCT08B3-068
70	289,00	283,07	25	17,21	QCT08B3-070
72	297,20	291,15	25	18,22	QCT08B3-072
75	309,20	303,28	25	19,78	QCT08B3-075
76	313,30	307,32	25	20,31	QCT08B3-076
78	321,40	315,40	25	21,40	QCT08B3-078
80	329,40	323,49	25	22,52	QCT08B3-080
85	349,00	343,69	25	25,44	QCT08B3-085
90	369,90	363,90	25	28,53	QCT08B3-090
95	390,10	384,11	25	31,81	QCT08B3-095
100	410,30	404,32	25	35,26	QCT08B3-100
110	450,70	444,74	25	42,69	QCT08B3-110
114	466,90	460,91	25	45,86	QCT08B3-114
120	491,20	485,16	25	50,83	QCT08B3-120
125	511,30	505,37	25	55,16	QCT08B3-125

Corona tripla

Materiale: C45 (Fe360B con Z ≥ 41)

D _e	Diametro esterno	mm
D _p	Diametro primitivo	mm
W	Peso	kg

Corona tripla

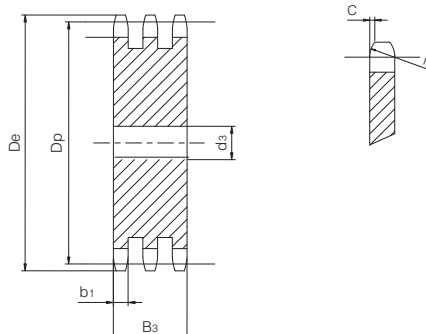
per catene a rulli secondo DIN 8187 - ISO/R 606

ISO 10B-3

Passo 5/8" x 3/8"



CORONA	[mm]
Raggio dente r_3	16
Larghezza raggio C	1,6
Larghezza dente b_1	9
Larghezza dente B_3	42,1
CATENA	[mm]
Passo	15,875
Larghezza interna	9,65
Rullo \varnothing	10,16



Z	De [mm]	Dp [mm]	d3 [mm]	W [kg]	Codice
8	47,00	41,48	12	0,41	QCT10B3-008
9	52,60	46,42	12	0,53	QCT10B3-009
10	57,50	51,37	12	0,65	QCT10B3-010
11	63,00	56,34	12	0,79	QCT10B3-011
12	68,00	61,34	12	0,95	QCT10B3-012
13	73,00	66,32	12	1,11	QCT10B3-013
14	78,00	71,34	12	1,29	QCT10B3-014
15	83,00	76,36	12	1,49	QCT10B3-015
16	88,00	81,37	16	1,66	QCT10B3-016
17	93,00	86,39	16	1,88	QCT10B3-017
18	98,30	91,42	16	2,12	QCT10B3-018
19	103,30	96,45	16	2,36	QCT10B3-019
20	108,40	101,49	16	2,62	QCT10B3-020
21	113,40	106,52	16	2,90	QCT10B3-021
22	118,00	111,55	16	3,18	QCT10B3-022
23	123,50	116,58	16	3,48	QCT10B3-023
24	128,30	121,62	16	3,80	QCT10B3-024
25	134,00	126,66	16	4,12	QCT10B3-025
26	139,00	131,70	20	4,43	QCT10B3-026
27	144,00	136,75	20	4,78	QCT10B3-027
28	148,70	141,78	20	5,15	QCT10B3-028
29	153,80	146,83	20	5,53	QCT10B3-029
30	158,80	151,87	20	5,92	QCT10B3-030
31	163,90	156,92	20	6,33	QCT10B3-031
32	168,90	161,95	20	6,75	QCT10B3-032
33	174,50	167,00	20	7,18	QCT10B3-033
34	179,00	172,05	20	7,63	QCT10B3-034
35	184,10	177,10	20	8,09	QCT10B3-035
36	189,10	182,15	25	8,50	QCT10B3-036
37	194,20	187,20	25	8,99	QCT10B3-037
38	199,20	192,24	25	9,49	QCT10B3-038
39	204,20	197,29	25	10,00	QCT10B3-039
40	209,30	202,34	25	10,53	QCT10B3-040
41	214,80	207,38	25	11,07	QCT10B3-041
42	219,90	212,43	25	11,62	QCT10B3-042
43	224,90	217,48	25	12,19	QCT10B3-043
44	230,00	222,53	25	12,77	QCT10B3-044
45	235,00	227,58	25	13,37	QCT10B3-045
46	240,10	232,63	25	13,97	QCT10B3-046
47	245,10	237,68	25	14,59	QCT10B3-047

Z	De [mm]	Dp [mm]	d3 [mm]	W [kg]	Codice
48	250,20	242,73	25	15,23	QCT10B3-048
49	255,20	247,78	25	15,87	QCT10B3-049
50	260,30	252,82	25	16,53	QCT10B3-050
51	265,30	257,87	25	17,21	QCT10B3-051
52	270,40	262,92	25	17,89	QCT10B3-052
53	275,40	267,97	25	18,59	QCT10B3-053
54	280,50	273,03	25	19,31	QCT10B3-054
55	285,50	278,08	25	20,04	QCT10B3-055
56	290,60	283,13	25	20,78	QCT10B3-056
57	296,00	288,18	25	21,53	QCT10B3-057
58	300,70	293,23	25	22,30	QCT10B3-058
59	305,70	298,28	25	23,08	QCT10B3-059
60	310,80	303,33	25	23,87	QCT10B3-060
62	321,40	313,43	30	25,43	QCT10B3-062
64	331,50	323,53	30	27,11	QCT10B3-064
65	336,50	328,58	30	27,97	QCT10B3-065
66	341,60	333,64	30	28,84	QCT10B3-066
68	351,70	343,74	30	30,63	QCT10B3-068
70	361,80	353,84	30	32,47	QCT10B3-070
72	371,90	363,94	30	34,36	QCT10B3-072
75	387,10	379,10	30	37,31	QCT10B3-075
76	392,10	384,15	30	38,31	QCT10B3-076
78	402,20	394,25	30	40,37	QCT10B3-078
80	412,30	404,36	30	42,48	QCT10B3-080
85	437,60	429,62	30	47,98	QCT10B3-085
90	462,80	454,88	30	53,81	QCT10B3-090
95	488,50	480,14	30	59,98	QCT10B3-095
100	513,40	505,40	30	66,49	QCT10B3-100
110	563,90	555,92	30	80,49	QCT10B3-110
114	584,10	576,13	30	86,47	QCT10B3-114
120	614,40	606,45	30	95,84	QCT10B3-120
125	639,70	631,51	30	103,94	QCT10B3-125

Materiale: C45 (Fe360B con Z ≥ 41)

De Diametro esterno mm
 Dp Diametro primitivo mm
 W Peso kg

Corona tripla

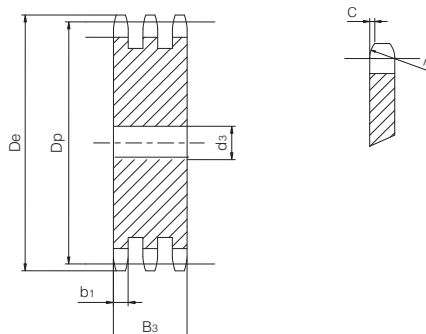
per catene a rulli secondo DIN 8187 - ISO/R 606

ISO 12B-3

Passo 3/4" x 7/16"



CORONA	[mm]
Raggio dente r_3	19
Larghezza raggio C	2
Larghezza dente b_1	10,8
Larghezza dente B_3	49,8
CATENA	[mm]
Passo	19,05
Larghezza interna	11,68
Rullo \varnothing	12,07



Z	De [mm]	Dp [mm]	d3 [mm]	W [kg]	Codice
8	57,30	49,78	12	0,72	QCT12B3-008
9	62,00	55,70	12	0,91	QCT12B3-009
10	69,00	61,64	12	1,13	QCT12B3-010
11	75,00	67,61	16	1,33	QCT12B3-011
12	81,50	73,60	16	1,59	QCT12B3-012
13	87,50	79,59	16	1,88	QCT12B3-013
14	93,60	85,61	16	2,19	QCT12B3-014
15	99,80	91,63	16	2,52	QCT12B3-015
16	105,50	97,65	16	2,87	QCT12B3-016
17	111,50	103,67	16	3,24	QCT12B3-017
18	118,00	109,71	16	3,64	QCT12B3-018
19	124,20	115,75	16	4,06	QCT12B3-019
20	129,70	121,78	16	4,50	QCT12B3-020
21	136,00	127,82	20	4,92	QCT12B3-021
22	141,00	133,86	20	5,41	QCT12B3-022
23	149,00	139,90	20	5,92	QCT12B3-023
24	153,90	145,94	20	6,46	QCT12B3-024
25	160,00	152,00	20	7,02	QCT12B3-025
26	165,90	158,04	20	7,59	QCT12B3-026
27	172,30	164,09	20	8,20	QCT12B3-027
28	178,00	170,13	20	8,82	QCT12B3-028
29	184,10	176,19	20	9,47	QCT12B3-029
30	190,50	182,25	20	10,14	QCT12B3-030
31	196,30	188,31	25	10,76	QCT12B3-031
32	203,30	194,35	25	11,48	QCT12B3-032
33	209,30	200,40	25	12,22	QCT12B3-033
34	214,60	206,46	25	12,98	QCT12B3-034
35	221,00	212,52	25	13,76	QCT12B3-035
36	226,80	218,58	25	14,57	QCT12B3-036
37	232,90	224,64	25	15,40	QCT12B3-037
38	239,00	230,69	25	16,25	QCT12B3-038
39	245,10	236,75	25	17,13	QCT12B3-039
40	251,30	242,81	25	18,02	QCT12B3-040
41	257,30	248,86	25	18,94	QCT12B3-041
42	264,50	254,92	25	19,89	QCT12B3-042
43	270,50	260,98	25	20,85	QCT12B3-043
44	276,50	267,03	25	21,84	QCT12B3-044
45	282,50	273,09	25	22,85	QCT12B3-045
46	287,90	279,15	25	23,88	QCT12B3-046
47	294,00	285,21	25	24,94	QCT12B3-047

Z	De [mm]	Dp [mm]	d3 [mm]	W [kg]	Codice
48	300,10	291,27	25	26,02	QCT12B3-048
49	306,20	297,33	25	27,12	QCT12B3-049
50	312,30	303,39	25	28,25	QCT12B3-050
51	318,40	309,45	25	29,40	QCT12B3-051
52	324,50	315,51	25	30,57	QCT12B3-052
53	330,50	321,57	25	31,76	QCT12B3-053
54	336,60	327,63	25	32,97	QCT12B3-054
55	342,70	333,69	25	34,21	QCT12B3-055
56	348,70	339,75	30	35,39	QCT12B3-056
57	355,40	345,81	30	36,67	QCT12B3-057
58	361,50	351,87	30	37,98	QCT12B3-058
59	367,50	357,93	30	39,31	QCT12B3-059
60	373,00	363,99	30	40,66	QCT12B3-060
62	385,10	376,12	30	43,43	QCT12B3-062
64	397,20	388,24	30	46,30	QCT12B3-064
65	403,20	394,30	30	47,76	QCT12B3-065
66	409,30	400,36	30	49,25	QCT12B3-066
68	421,40	412,49	30	52,30	QCT12B3-068
70	433,60	424,61	30	55,43	QCT12B3-070
72	447,00	436,73	30	58,66	QCT12B3-072
75	463,90	454,92	30	63,67	QCT12B3-075
76	469,90	460,98	30	65,38	QCT12B3-076
78	482,10	473,10	30	68,88	QCT12B3-078
80	494,20	485,23	30	72,47	QCT12B3-080
85	524,50	515,54	30	81,85	QCT12B3-085
90	554,80	545,85	30	91,79	QCT12B3-090
95	585,10	576,17	30	102,30	QCT12B3-095
100	615,40	606,48	30	113,37	QCT12B3-100
110	676,10	667,11	30	137,23	QCT12B3-110
114	700,60	691,36	30	147,41	QCT12B3-114
120	736,70	727,74	30	163,37	QCT12B3-120
125	767,00	758,06	30	177,29	QCT12B3-125

Corona tripla

Materiale: C45 (Fe360B con Z ≥ 41)

De Diametro esterno mm
 Dp Diametro primitivo mm
 W Peso kg

Corona tripla

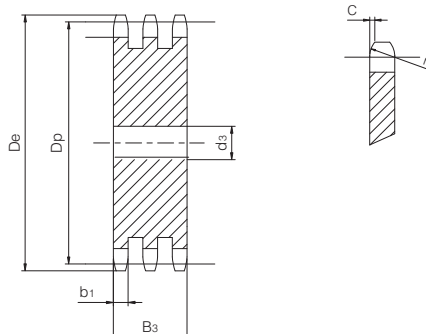
per catene a rulli secondo DIN 8187 - ISO/R 606

ISO 16B-3

Passo 1" x 17,02 mm



CORONA	[mm]
Raggio dente r_3	26
Larghezza raggio C	2,5
Larghezza dente b_1	15,8
Larghezza dente B_3	79,6
CATENA	[mm]
Passo	25,4
Larghezza interna	17,02
Rullo \varnothing	15,88



Z	D _e [mm]	D _p [mm]	d ₃ [mm]	W [kg]	Codice
8	77,00	66,37	16	2,05	QCT16B3-008
9	85,00	74,27	16	2,60	QCT16B3-009
10	93,00	82,19	16	3,21	QCT16B3-010
11	101,50	90,14	20	3,82	QCT16B3-011
12	109,00	98,14	20	4,56	QCT16B3-012
13	117,00	106,12	20	5,36	QCT16B3-013
14	125,00	114,15	20	6,24	QCT16B3-014
15	133,00	122,17	20	7,17	QCT16B3-015
16	141,00	130,20	25	8,06	QCT16B3-016
17	149,00	138,22	25	9,13	QCT16B3-017
18	157,00	146,28	25	10,26	QCT16B3-018
19	165,20	154,33	25	11,45	QCT16B3-019
20	173,20	162,38	25	12,71	QCT16B3-020
21	181,20	170,43	25	14,04	QCT16B3-021
22	189,30	178,48	25	15,42	QCT16B3-022
23	197,50	186,53	25	16,88	QCT16B3-023
24	205,50	194,59	25	18,39	QCT16B3-024
25	213,50	202,66	25	19,98	QCT16B3-025
26	221,60	210,72	30	21,49	QCT16B3-026
27	229,60	218,79	30	23,20	QCT16B3-027
28	237,70	226,85	30	24,97	QCT16B3-028
29	245,80	234,92	30	26,81	QCT16B3-029
30	254,00	243,00	30	28,72	QCT16B3-030
31	262,00	251,08	30	30,69	QCT16B3-031
32	270,00	259,13	30	32,72	QCT16B3-032
33	278,50	267,21	30	34,82	QCT16B3-033
34	287,00	275,28	30	36,98	QCT16B3-034
35	296,20	283,36	30	39,21	QCT16B3-035
36	304,60	291,44	30	41,51	QCT16B3-036
37	312,60	299,51	30	43,86	QCT16B3-037
38	320,70	307,59	30	46,28	QCT16B3-038
39	328,80	315,67	30	48,77	QCT16B3-039
40	336,90	323,75	30	51,32	QCT16B3-040
42	353,00	339,89	30	56,61	QCT16B3-042
44	369,10	356,05	30	62,17	QCT16B3-044
45	377,10	364,12	30	65,04	QCT16B3-045
46	385,20	372,20	30	67,98	QCT16B3-046
48	401,30	388,36	30	74,05	QCT16B3-048
50	417,40	404,52	30	80,37	QCT16B3-050
51	425,50	412,60	40	83,29	QCT16B3-051

Z	D _e [mm]	D _p [mm]	d ₃ [mm]	W [kg]	Codice
52	433,60	420,68	40	86,61	QCT16B3-052
55	457,90	444,92	40	96,98	QCT16B3-055
57	474,00	461,08	40	104,21	QCT16B3-057
60	498,30	485,33	40	115,54	QCT16B3-060
65	538,80	525,73	40	135,72	QCT16B3-065
68	562,90	549,98	40	148,60	QCT16B3-068
70	579,20	566,15	40	157,51	QCT16B3-070
72	595,40	582,31	40	166,68	QCT16B3-072
75	619,70	606,56	40	180,92	QCT16B3-075
76	627,00	614,64	40	185,79	QCT16B3-076
80	660,00	646,97	40	205,94	QCT16B3-080
85	699,90	687,39	40	232,58	QCT16B3-085
90	740,30	727,80	40	260,82	QCT16B3-090
95	781,10	768,22	40	290,68	QCT16B3-095
100	821,10	808,64	40	322,16	QCT16B3-100
110	902,00	889,48	40	389,96	QCT16B3-110
114	934,30	921,81	40	418,88	QCT16B3-114
120	982,80	970,32	40	464,22	QCT16B3-120
125	1023,30	1010,73	40	503,76	QCT16B3-125

Materiale: C45 (Fe360B con Z ≥ 21)

D_e Diametro esterno mm
 D_p Diametro primitivo mm
 W Peso kg

Corona tripla

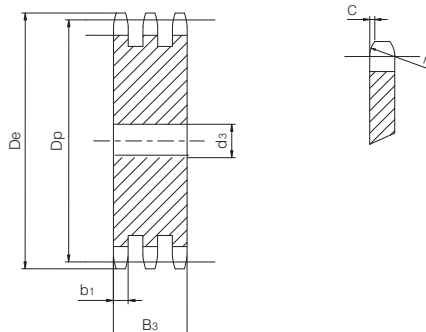
per catene a rulli secondo DIN 8187 - ISO/R 606

ISO 20B-3

Passo 1" 1/4 x 3/4"



CORONA	[mm]
Raggio dente r_3	32
Larghezza raggio C	3,5
Larghezza dente b_1	18,2
Larghezza dente B_3	91
CATENA	[mm]
Passo	31,75
Larghezza interna	19,56
Rullo \varnothing	19,05



Z	D _e [mm]	D _p [mm]	d ₃ [mm]	W [kg]	Codice
8	98,10	82,96	20	3,66	QCT20B3-008
9	108,00	92,84	20	4,64	QCT20B3-009
10	117,90	102,74	20	5,73	QCT20B3-010
11	127,80	112,68	20	6,94	QCT20B3-011
12	137,80	122,68	20	8,27	QCT20B3-012
13	147,80	132,65	20	9,71	QCT20B3-013
14	157,80	142,68	20	11,27	QCT20B3-014
15	167,90	152,72	20	12,94	QCT20B3-015
16	177,90	162,75	25	14,60	QCT20B3-016
17	187,90	172,78	25	16,50	QCT20B3-017
18	198,00	182,85	25	18,52	QCT20B3-018
19	208,10	192,91	25	20,66	QCT20B3-019
20	218,10	202,98	25	22,91	QCT20B3-020
21	228,20	213,04	25	25,27	QCT20B3-021
22	238,30	223,11	25	27,75	QCT20B3-022
23	248,30	233,17	25	30,34	QCT20B3-023
24	258,40	243,23	25	33,05	QCT20B3-024
25	268,50	253,33	25	35,88	QCT20B3-025
26	278,60	263,40	25	38,82	QCT20B3-026
27	288,60	273,49	25	41,88	QCT20B3-027
28	298,70	283,56	25	45,05	QCT20B3-028
29	308,80	293,65	25	48,33	QCT20B3-029
30	318,90	303,75	25	51,74	QCT20B3-030
31	329,00	313,85	30	55,11	QCT20B3-031
32	339,10	323,91	30	58,73	QCT20B3-032
33	349,20	334,01	30	62,48	QCT20B3-033
34	359,30	344,10	30	66,35	QCT20B3-034
35	369,40	354,20	30	70,33	QCT20B3-035
36	379,50	364,30	30	74,43	QCT20B3-036
37	389,50	374,39	30	78,63	QCT20B3-037
38	399,60	384,49	30	82,96	QCT20B3-038
39	409,70	394,59	30	87,40	QCT20B3-039
40	419,80	404,69	30	91,96	QCT20B3-040
42	440,00	424,86	40	101,01	QCT20B3-042
45	470,30	455,17	40	116,07	QCT20B3-045
46	480,40	465,25	40	121,31	QCT20B3-046
48	500,60	485,45	40	132,16	QCT20B3-048
50	520,80	505,65	40	143,46	QCT20B3-050
52	541,00	525,85	40	155,23	QCT20B3-052
55	571,30	556,15	40	173,74	QCT20B3-055

Z	D _e [mm]	D _p [mm]	d ₃ [mm]	W [kg]	Codice
57	591,50	576,35	40	186,65	QCT20B3-057
60	621,80	606,66	40	206,90	QCT20B3-060
65	672,30	657,17	40	242,94	QCT20B3-065
70	722,80	707,68	40	281,87	QCT20B3-070
76	783,50	768,32	40	332,40	QCT20B3-076
80	823,90	808,71	40	368,37	QCT20B3-080
95	975,20	960,28	40	519,76	QCT20B3-095
114	1167,40	1152,26	40	748,75	QCT20B3-114

Materiale: C45 (Fe360B con Z ≥ 18)

D _e	Diametro esterno	mm
D _p	Diametro primitivo	mm
W	Peso	kg

Corona tripla

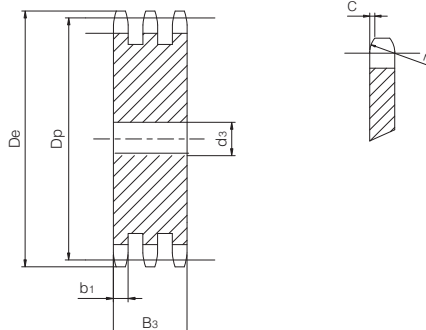
per catene a rulli secondo DIN 8187 - ISO/R 606

ISO 24B-3

Passo 1" 1/2 x 1"



CORONA	[mm]
Raggio dente r_3	38
Larghezza raggio C	4
Larghezza dente b_1	23,6
Larghezza dente B_3	120,3
CATENA	[mm]
Passo	38,1
Larghezza interna	25,4
Rullo \varnothing	25,4



Z	D _e [mm]	D _p [mm]	d ₃ [mm]	W [kg]	Codice
8	115,00	99,55	25	6,93	QCT24B3-008
9	126,40	111,40	25	8,80	QCT24B3-009
10	138,00	123,29	25	10,88	QCT24B3-010
11	150,00	135,21	25	13,18	QCT24B3-011
12	162,00	147,22	25	15,71	QCT24B3-012
13	174,20	159,18	25	18,45	QCT24B3-013
14	186,20	171,22	25	21,42	QCT24B3-014
15	198,20	183,26	25	24,60	QCT24B3-015
16	210,30	195,30	25	28,00	QCT24B3-016
17	222,30	207,34	25	31,62	QCT24B3-017
18	234,30	219,42	25	35,47	QCT24B3-018
19	246,50	231,49	25	39,53	QCT24B3-019
20	258,60	243,57	25	43,82	QCT24B3-020
21	270,60	255,65	30	48,11	QCT24B3-021
22	282,70	267,73	30	52,83	QCT24B3-022
23	294,80	279,80	30	57,76	QCT24B3-023
24	306,80	291,88	30	62,92	QCT24B3-024
25	319,00	304,00	30	68,31	QCT24B3-025
26	331,00	316,08	30	73,90	QCT24B3-026
27	343,20	328,19	30	79,72	QCT24B3-027
28	355,20	340,27	30	85,75	QCT24B3-028
29	367,30	352,38	30	92,01	QCT24B3-029
30	379,50	364,50	40	97,98	QCT24B3-030
31	391,60	376,62	40	104,68	QCT24B3-031
32	403,70	388,69	40	111,57	QCT24B3-032
33	415,80	400,81	40	118,72	QCT24B3-033
34	427,80	412,93	40	126,08	QCT24B3-034
35	440,00	425,04	40	133,65	QCT24B3-035
36	452,00	437,16	40	141,45	QCT24B3-036
37	464,20	449,27	40	149,47	QCT24B3-037
38	476,20	461,39	40	157,70	QCT24B3-038
39	488,50	473,50	40	166,15	QCT24B3-039
40	500,60	485,62	40	174,83	QCT24B3-040
42	524,70	509,83	40	192,82	QCT24B3-042
45	561,20	546,19	40	221,48	QCT24B3-045
46	573,30	558,30	40	231,46	QCT24B3-046
48	597,40	582,54	40	252,11	QCT24B3-048
50	621,70	606,78	40	273,62	QCT24B3-050
55	682,30	667,40	40	331,28	QCT24B3-055
57	706,50	691,63	40	355,86	QCT24B3-057

Z	D _e [mm]	D _p [mm]	d ₃ [mm]	W [kg]	Codice
60	742,80	727,97	40	394,36	QCT24B3-060
65	803,40	788,59	40	462,98	QCT24B3-065
76	936,90	921,98	40	633,30	QCT24B3-076

Materiale: C45 (Fe360B con Z ≥ 16)

D_e Diametro esterno mm
 D_p Diametro primitivo mm
 W Peso kg

Corona tripla

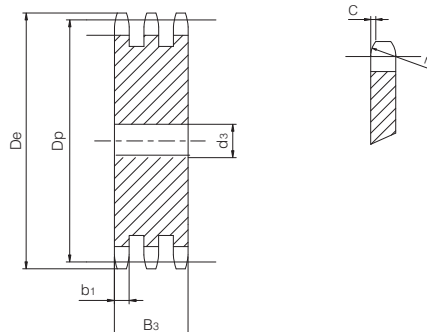
per catene a rulli secondo DIN 8187 - ISO/R 606

ISO 28B-3

Passo 1" 3/4 x 1" 1/4



CORONA	[mm]
Raggio dente r_3	44
Larghezza raggio C	5
Larghezza dente b_1	28,8
Larghezza dente B_3	148
CATENA	[mm]
Passo	44,45
Larghezza interna	30,99
Rullo \varnothing	27,94



Z	D _e [mm]	D _p [mm]	d ₃ [mm]	W [kg]	Codice
8	132,00	116,15	25	11,81	QCT28B3-008
9	148,40	129,96	25	14,94	QCT28B3-009
10	162,30	143,85	25	18,43	QCT28B3-010
11	176,30	157,77	30	22,03	QCT28B3-011
12	189,50	171,74	30	26,26	QCT28B3-012
13	204,20	185,74	30	30,85	QCT28B3-013
14	218,20	199,76	30	35,82	QCT28B3-014
15	232,30	213,79	30	41,14	QCT28B3-015
16	246,30	227,84	30	46,84	QCT28B3-016
17	260,00	241,91	30	52,91	QCT28B3-017
18	274,00	255,98	30	59,35	QCT28B3-018
19	289,00	270,06	30	66,15	QCT28B3-019
20	303,00	284,15	30	73,32	QCT28B3-020
21	317,00	298,24	30	80,85	QCT28B3-021
22	331,00	312,34	30	88,76	QCT28B3-022
23	345,00	326,44	30	97,03	QCT28B3-023
24	359,00	340,55	30	105,67	QCT28B3-024
25	373,00	354,66	40	114,04	QCT28B3-025
26	387,00	368,77	40	123,41	QCT28B3-026
27	401,40	382,88	40	133,15	QCT28B3-027
28	416,00	397,00	40	143,26	QCT28B3-028
29	430,00	411,12	40	153,74	QCT28B3-029
30	444,00	425,24	40	164,58	QCT28B3-030
31	458,00	439,37	40	175,80	QCT28B3-031
32	472,00	453,49	40	187,38	QCT28B3-032
33	486,00	467,62	40	199,33	QCT28B3-033
34	500,00	481,75	40	211,65	QCT28B3-034
35	514,00	495,88	40	224,33	QCT28B3-035
36	529,00	510,01	40	237,39	QCT28B3-036
37	543,00	524,14	40	250,81	QCT28B3-037
38	557,00	538,27	40	264,59	QCT28B3-038
39	571,00	552,40	40	278,74	QCT28B3-039
40	585,00	566,54	40	293,27	QCT28B3-040
45	656,00	637,22	40	371,40	QCT28B3-045
50	726,00	707,91	40	458,72	QCT28B3-050
57	825,00	806,89	40	596,40	QCT28B3-057
60	869,00	849,32	40	660,93	QCT28B3-060
76	1095,00	1075,60	40	1060,91	QCT28B3-076

Materiale: C45 (Fe360B con Z ≥ 13)

D _e	Diametro esterno	mm
D _p	Diametro primitivo	mm
W	Peso	kg

Corona tripla

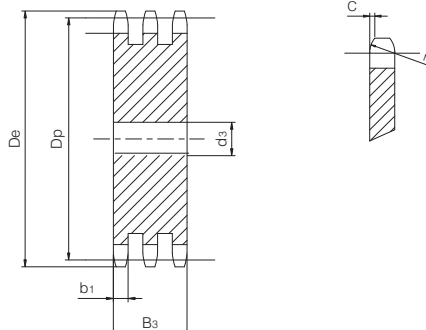
per catene a rulli secondo DIN 8187 - ISO/R 606

ISO 32B-3

Passo 2" x 1" 1/4



CORONA	[mm]
Raggio dente r_3	51
Larghezza raggio C	6
Larghezza dente b_1	28,8
Larghezza dente B_3	146
CATENA	[mm]
Passo	50,8
Larghezza interna	30,99
Rullo \varnothing	29,21



Z	D _e [mm]	D _p [mm]	d ₃ [mm]	W [kg]	Codice
8	153,00	132,69	25	15,38	QCT32B3-008
9	169,00	148,54	25	19,42	QCT32B3-009
10	185,00	164,44	25	23,93	QCT32B3-010
11	200,80	180,34	30	28,65	QCT32B3-011
12	216,80	196,29	30	34,09	QCT32B3-012
13	232,80	212,29	30	40,01	QCT32B3-013
14	248,80	228,29	30	46,40	QCT32B3-014
15	264,80	244,30	30	53,25	QCT32B3-015
16	280,90	260,40	30	60,61	QCT32B3-016
17	296,90	276,40	30	68,39	QCT32B3-017
18	313,00	292,55	30	76,71	QCT32B3-018
19	329,10	308,66	30	85,49	QCT32B3-019
20	345,20	324,71	30	94,70	QCT32B3-020
21	361,30	340,82	40	103,78	QCT32B3-021
22	377,50	356,98	40	113,99	QCT32B3-022
23	393,60	373,08	40	124,64	QCT32B3-023
24	409,70	389,18	40	135,76	QCT32B3-024
25	425,80	405,33	40	147,38	QCT32B3-025
26	441,90	421,44	40	159,45	QCT32B3-026
27	458,10	437,59	40	172,01	QCT32B3-027
28	474,20	453,69	40	185,01	QCT32B3-028
30	506,50	486,00	40	212,52	QCT32B3-030
35	589,50	566,72	40	289,49	QCT32B3-035
38	635,50	615,14	40	341,33	QCT32B3-038
40	670,30	647,49	40	378,33	QCT32B3-040
45	751,00	728,25	40	478,98	QCT32B3-045
50	831,80	809,04	40	591,49	QCT32B3-050
57	945,00	922,16	40	768,89	QCT32B3-057
60	993,40	970,65	40	852,03	QCT32B3-060
76	1252,00	1229,30	40	1367,49	QCT32B3-076

Materiale: C45 (Fe360B con Z ≥ 12)

D_e Diametro esterno mm
 D_p Diametro primitivo mm
 W Peso kg