

# PIGNONI TRIPLI

## Pignone triplo

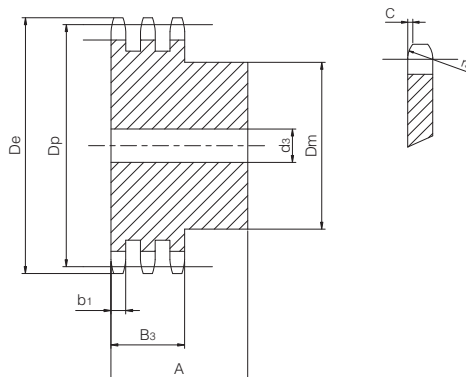
per catene a rulli secondo DIN 8187 - ISO/R 606

### ISO 06B-3

Passo 3/8" x 7/32"



| PIGNONE               | [mm]  |
|-----------------------|-------|
| Raggio dente $r_3$    | 10    |
| Larghezza raggio C    | 1     |
| Larghezza dente $b_1$ | 5,2   |
| Larghezza dente $B_3$ | 25,6  |
| CATENA                | [mm]  |
| Passo                 | 9,525 |
| Larghezza interna     | 5,72  |
| Rullo $\varnothing$   | 6,35  |



| Z  | $D_e$<br>[mm] | $D_p$<br>[mm] | $D_m$<br>[mm] | $d_3$<br>[mm] | A<br>[mm] | W<br>[kg] | Codice      |
|----|---------------|---------------|---------------|---------------|-----------|-----------|-------------|
| 8  | 28,00         | 24,89         | 15            | 8             | 32        | 0,05      | QPT06B3-008 |
| 9  | 31,00         | 27,85         | 18            | 8             | 32        | 0,07      | QPT06B3-009 |
| 10 | 34,00         | 30,82         | 20            | 10            | 32        | 0,09      | QPT06B3-010 |
| 11 | 37,00         | 33,80         | 22            | 10            | 35        | 0,11      | QPT06B3-011 |
| 12 | 40,00         | 36,80         | 25            | 10            | 35        | 0,15      | QPT06B3-012 |
| 13 | 43,00         | 39,79         | 28            | 10            | 35        | 0,19      | QPT06B3-013 |
| 14 | 46,30         | 42,80         | 31            | 12            | 35        | 0,23      | QPT06B3-014 |
| 15 | 49,30         | 45,81         | 34            | 12            | 35        | 0,28      | QPT06B3-015 |
| 16 | 52,30         | 48,82         | 37            | 12            | 35        | 0,33      | QPT06B3-016 |
| 17 | 55,30         | 51,83         | 40            | 12            | 35        | 0,39      | QPT06B3-017 |
| 18 | 58,30         | 54,85         | 43            | 12            | 35        | 0,45      | QPT06B3-018 |
| 19 | 61,30         | 57,87         | 46            | 12            | 35        | 0,51      | QPT06B3-019 |
| 20 | 64,30         | 60,89         | 49            | 12            | 35        | 0,58      | QPT06B3-020 |
| 21 | 68,00         | 63,91         | 52            | 14            | 40        | 0,70      | QPT06B3-021 |
| 22 | 71,00         | 66,93         | 55            | 14            | 40        | 0,78      | QPT06B3-022 |
| 23 | 73,50         | 69,95         | 58            | 14            | 40        | 0,87      | QPT06B3-023 |
| 24 | 77,00         | 72,97         | 61            | 14            | 40        | 0,97      | QPT06B3-024 |
| 25 | 80,00         | 76,02         | 64            | 14            | 40        | 1,06      | QPT06B3-025 |
| 26 | 83,00         | 79,02         | 67            | 14            | 40        | 1,17      | QPT06B3-026 |
| 27 | 86,00         | 82,02         | 70            | 14            | 40        | 1,27      | QPT06B3-027 |
| 28 | 89,00         | 85,07         | 73            | 14            | 40        | 1,39      | QPT06B3-028 |
| 29 | 92,00         | 88,09         | 76            | 14            | 40        | 1,50      | QPT06B3-029 |
| 30 | 94,70         | 91,12         | 79            | 14            | 40        | 1,62      | QPT06B3-030 |
| 31 | 98,30         | 94,15         | 80            | 16            | 40        | 1,72      | QPT06B3-031 |
| 32 | 101,30        | 97,17         | 80            | 16            | 40        | 1,80      | QPT06B3-032 |
| 33 | 104,30        | 100,20        | 80            | 16            | 40        | 1,89      | QPT06B3-033 |
| 34 | 107,30        | 103,23        | 85            | 16            | 40        | 2,06      | QPT06B3-034 |
| 35 | 110,40        | 106,26        | 85            | 16            | 40        | 2,15      | QPT06B3-035 |
| 36 | 113,40        | 109,29        | 90            | 16            | 40        | 2,33      | QPT06B3-036 |
| 37 | 116,40        | 112,32        | 90            | 16            | 40        | 2,43      | QPT06B3-037 |
| 38 | 119,50        | 115,35        | 90            | 16            | 40        | 2,53      | QPT06B3-038 |
| 39 | 122,50        | 118,37        | 90            | 16            | 40        | 2,63      | QPT06B3-039 |
| 40 | 125,50        | 121,40        | 90            | 16            | 40        | 2,74      | QPT06B3-040 |

Materiale: C45

|       |                    |    |
|-------|--------------------|----|
| $D_e$ | Diametro esterno   | mm |
| $D_p$ | Diametro primitivo | mm |
| $D_m$ | Diametro mozzo     | mm |
| W     | Peso               | kg |