



SNG 500 e 600 SERIE - SERIES



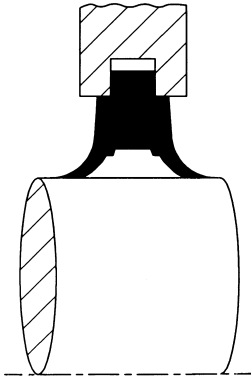
SNU/SNA 500 e 600 SERIE - SERIES



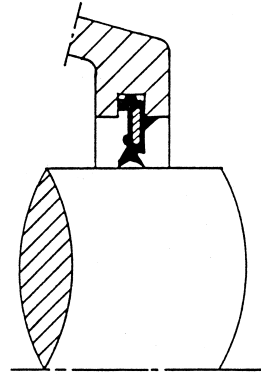
SN 500 e SN 600 SERIE - SERIES
SN 200 e SN 300 SERIE - SERIES
SN 3000 e SN 3100 SERIE - SERIES



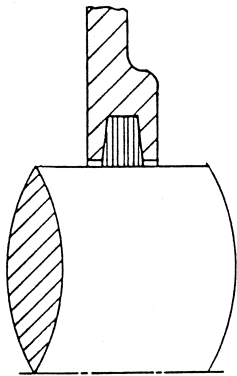
SD 3100 SERIE - SERIES



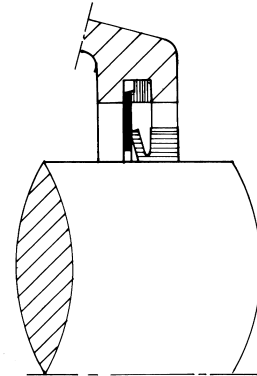
TENUTA IN POLIURETANO "TSNG" PER SUPPORTI: SNG-SNU
"TSNG" POLYURETHAN SEAL FOR: SNG-SNU TYPE



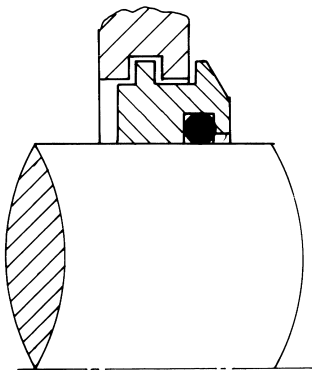
TENUTA IN GOMMA U-LOK "TSNU" PER SUPPORTI: SNG-SNU
"TSNU" U-LOK RUBBER SEAL FOR: SNG-SNU TYPE



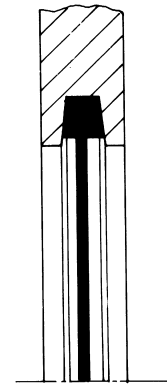
TENUTA IN FELTRO "TSNC" PER SUPPORTI: SNG-SNU
"TSNC" FELT SEAL FOR: SNG-SNU TYPE



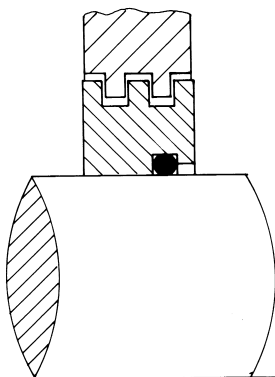
TENUTA V-RING "TSNA" PER SUPPORTI: SNG-SNU
"TSNA" V-RING SEAL FOR: SNG-SNU TYPE



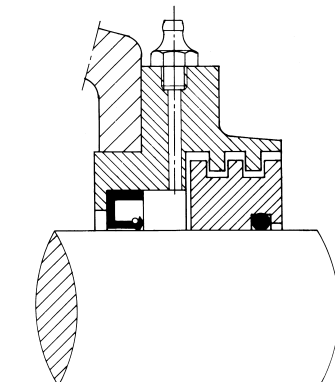
TENUTA A LABIRINTO "TSNS" PER SUPPORTI: SNG-SNU
"TSNS" LABYRINTH SEAL FOR: SNG-SNU TYPE



COPERCHIO DI CHIUSURA "A" PER SUPPORTI: SNG-SNU-SN-SSN
"A" END COVER FOR: SNG-SNU-SN-SSN-TYPE



TENUTA A LABIRINTO "TS" PER SUPPORTI: SN-SSN-SD
"TS" LABYRINTH SEAL FOR: SN-SSN-SD TYPE



CHIUSURA DI TACONITE "TAC" PER SUPPORTI: SSN-SD
"TAC" TACONITE COVER FOR: SSN-SD TYPE

A: MATERIALE / MATERIAL:

1. CORPO / HOUSING:

Materiale Material	Carico di rottura Tensile strength kgf/mm2	Carico di snervamento Yield strength kgf/mm2	Allungamento Elongation	Codice Jis Jis code	Codice USA U.S. code
GHISA CAST IRON	20			G 5501 (FC 200)	ASTM A 48 GRADO/GRADE 35
ACCIAIO DUTTILE DUCTILE IRON (S. G.)	45	30	10%	G 5502 (FCD 450)	ASTM A 536 GRADO/GRADE 65-45-12

2. ACCESSORI / ACCESSORIES:

Tipo Type	Parte N. Part No.	Materiali Materials
TENUTA IN POLIURETANO POLYURETHAN SEAL	"TSNG" PER (FOR): SNG • SNU	Poliuretano Polyurethan
TENUTA IN GOMMA U-LOK U-LOK RUBBER SEAL	"TSNU" PER (FOR): SNG • SNU	Gomma Rubber
TENUTA IN FELTRO FELT SEAL	"TSNC" PER (FOR): SNG • SNU	Feltro Felt
TENUTA V-RING V-RING SEAL	"TSNA" PER (FOR): SNG • SNU	NBR NBR
TENUTA LABIRINTO LABYRINTH SEAL	"TSNS" PER (FOR): SNG • SNU	Ghisa Cast iron
COPERCHIO DI CHIUSURA END COVER	"A" PER (FOR): SNG • SNU • SN • SSN	NBR e lamiera in acciaio Nbr & Carbon steel plate
TENUTA A LABIRINTO LABYRINTH SEAL	"TS" PER (FOR): SN • SSN • SD	Ghisa Cast iron
CHIUSURA DI TACONITE TACONITE COVER TAC	"TAC" PER (FOR): SSN • SD	Ghisa Cast iron

B: TOLLERANZA / TOLERANCE:

	Dimensione Length	Tolleranza Tolerance
TOLLERANZA DELLA FUSIONE CASTING TOLERANCE	1 mm - 100 mm	± 1.5 mm
	100 mm - 200 mm	± 2.0 mm
	200 mm - 400 mm	± 3.0 mm
	400 mm - 800 mm	± 4.0 mm
	800 mm - 1600 mm	± 5.0 mm

**TOLLERANZA DI LAVORAZIONE
MACHINE TOLERANCE**

1. DIAMETRO DEL FORO (D) / HOUSING BORE (D)

(µm)

Diametro del foro Bore Dia.	G7	H7	H8	J7
50 mm - 80 mm	+ 40 + 10	+ 30 - 0	+ 46 - 0	+ 18 - 12
80 mm - 120 mm	+ 42 + 12	+ 35 - 0	+ 54 - 0	+ 22 - 13
120 mm - 180 mm	+ 54 + 14	+ 40 - 0	+ 63 - 0	+ 26 - 14
180 mm - 250 mm	+ 61 + 15	+ 46 - 0	+ 72 - 0	+ 30 - 16
250 mm - 315 mm	+ 69 + 17	+ 52 - 0	+ 81 - 0	+ 36 - 16
315 mm - 400 mm	+ 75 + 18	+ 57 - 0	+ 89 - 0	+ 39 - 18
400 mm - 500 mm	+ 83 + 20	+ 63 - 0	+ 97 - 0	+ 43 - 20
500 mm - 620 mm	+ 92 + 23	+ 69 - 0	+ 104 - 0	+ 46 - 23

2. ALTRE TOLLERANZE ECCETTO FORO (D) / EXCEPT HOUSING BORE (D)

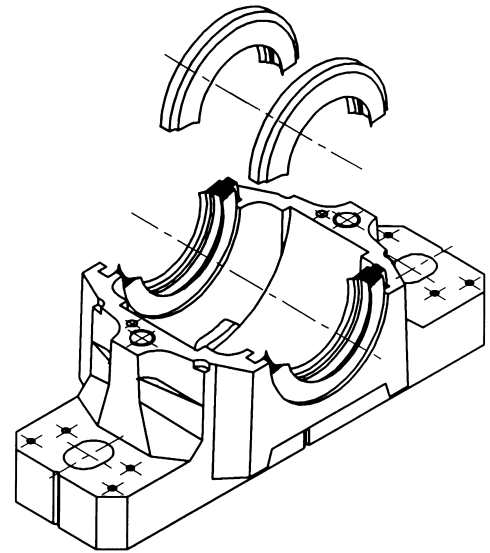
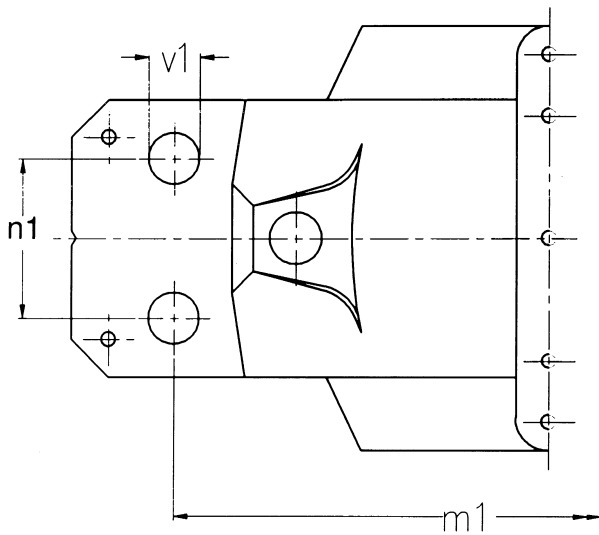
(µm)

Dimensione Dimension	js11	H12	H13	h12	h13
18 mm - 30 mm	± 65	+ 210 - 0	+ 330 - 0	+ 0 - 210	+ 0 - 330
30 mm - 50 mm	± 80	+ 250 - 0	+ 390 - 0	+ 0 - 250	+ 0 - 390
50 mm - 80 mm	± 95	+ 300 - 0	+ 460 - 0	+ 0 - 300	+ 0 - 460
80 mm - 120 mm	± 110	+ 350 - 0	+ 540 - 0	+ 0 - 350	+ 0 - 540
120 mm - 180 mm	± 125	+ 400 - 0	+ 630 - 0	+ 0 - 400	+ 0 - 630
180 mm - 250 mm	± 145	+ 460 - 0	+ 720 - 0	+ 0 - 460	+ 0 - 720
250 mm - 315 mm	± 160	+ 520 - 0	+ 810 - 0	+ 0 - 520	+ 0 - 810
315 mm - 400 mm	± 180	+ 570 - 0	+ 890 - 0	+ 0 - 570	+ 0 - 890

3. TOLLERANZE SUGGERITE PER SEDE CUSCINETTO / RECOMMENDED FITS OF BEARING HOUSING TOLERANCE

SUPPORTO UNICO O IN DUE PEZZI	Condizioni di carico Load Conditions		Esempio di riferimento Reference example	Tolleranza Tolerance	Anello esterno Outer ring
	SPLIT OR SOLID HOUSING	Direzione di carico non deter. Direction of load indeterminate	Carico normale e leggero Normal & light load	Motori elettrici, pompe Electric motors, pumps	J7
Carico dell'anello interno rotante Rotating inner ring load		Carichi di tutti i tipi Loads of all kinds	Applicazioni gener. di cuscinetti e boccole General bearing applications railway axleboxes	H7	Possibilità di facile spostamento Can easily be displaced
		Carico leggero e normale Normal & light load	Supporti Plummer block	H8	
		Incremento della temp. dell'anello interno attraverso l'albero High temperature rise of inner ring through shaft	Essicatoti per carta Paper dryers	J7	

SUPPORTI "SNG"
"SNG" BEARING HOUSING



DISPONIBILE PER MONTAGGIO A QUATTRO-FORI
 AVAILABLE FOR FOUR-BOLT MOUNTING

TENUTE "TSNG" SIA PER ALBERI METRICI CHE IN POLLICI
 "TSNG" SEAL FIT BOTH METRIC & INCHES
 SHAFTINGS "TSNG"

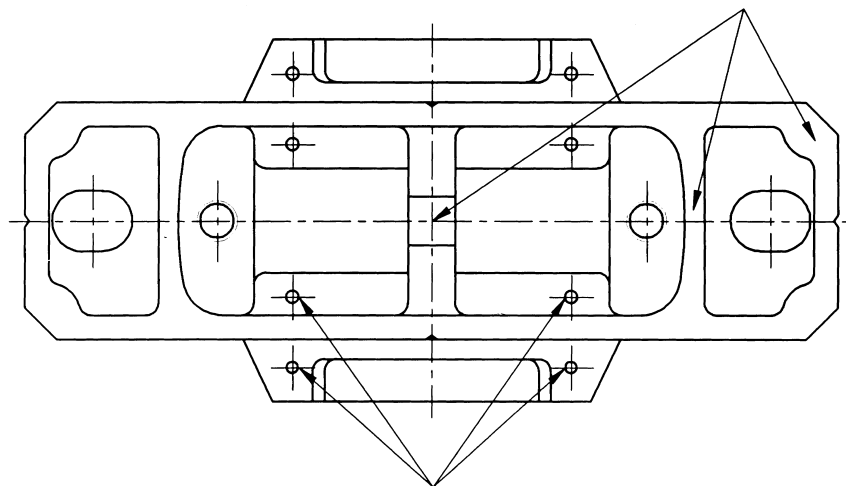
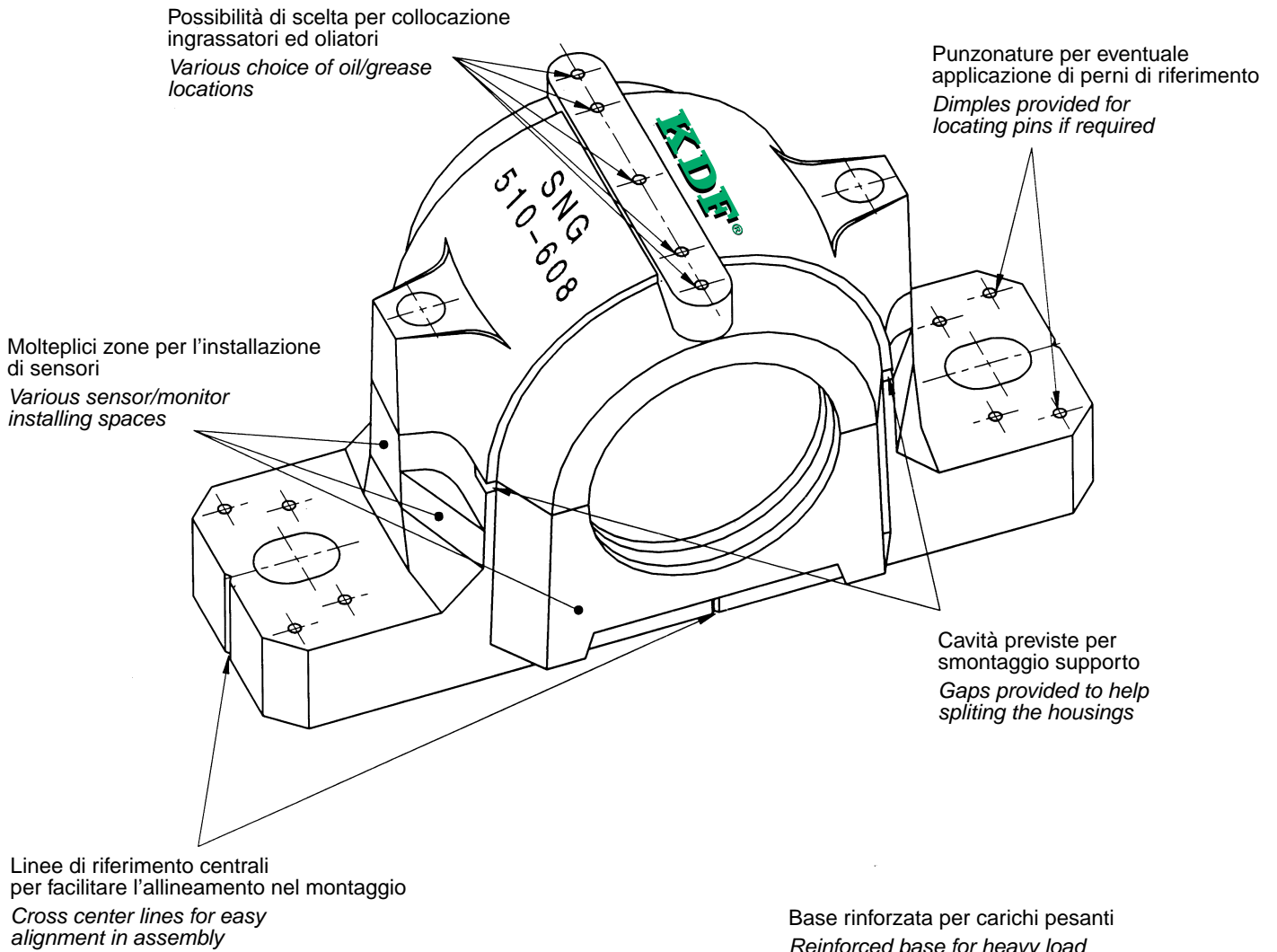
Tipo Type n.	m1	n1	v1		Tenuta N. Seal No.	Diam. albero mm Shaft DIA. mm	Diam. albero pollici Shaft DIA. inches		Tenuta N. Seal No.	Diam. albero mm Shaft DIA. mm	Diam. albero pollici Shaft DIA. inches	
SNG 507-606D	-	-	-	-	TSNG 507	30	1 ¹ / ₈	1 ³ / ₁₆		30	1 ¹ / ₈	1 ³ / ₁₆
SNG 508-607D	160	34	11	M10	TSNG 508	35	1 ⁵ / ₁₆	1 ³ / ₈	TSNG 607	35	1 ⁵ / ₁₆	1 ³ / ₈
SNG 509D	160	34	11	M10	TSNG 509	40	1 ¹ / ₂	1 ⁹ / ₁₆		40	1 ¹ / ₂	1 ⁹ / ₁₆
SNG 510-608D	160	34	11	M10	TSNG 510	45	1 ¹¹ / ₁₆	1 ³ / ₄	TSNG 608	45	1 ¹¹ / ₁₆	1 ³ / ₄
SNG 511-609D	200	40	14	M12	TSNG 511	50	1 ¹⁵ / ₁₆	2	TSNG 609	50	1 ¹⁵ / ₁₆	2
SNG 512-610D	200	40	14	M12	TSNG 512	55	2 ¹ / ₈	2 ³ / ₁₆	TSNG 610	55	2 ¹ / ₈	2 ³ / ₁₆
SNG 513-611D	220	48	14	M12	TSNG 513	60	2 ¹ / ₄	2 ⁵ / ₁₆	TSNG 611	60	2 ¹ / ₄	2 ⁵ / ₁₆
SNG 515-612D	220	48	14	M12	TSNG 515	65	2 ⁷ / ₁₆	2 ¹ / ₂	TSNG 612	65	2 ⁷ / ₁₆	2 ¹ / ₂
SNG 516-613D	252	52	18	M16	TSNG 516	70	2 ¹¹ / ₁₆	2 ³ / ₄	TSNG 613	70	2 ¹¹ / ₁₆	2 ³ / ₄
SNG 517D	252	52	18	M16	TSNG 517	75	2 ¹⁵ / ₁₆	3		75	2 ¹⁵ / ₁₆	3
SNG 518-615D	280	58	18	M16	TSNG 518	80	3 ³ / ₁₆	3 ¹ / ₄	TSNG 615	85	3 ⁵ / ₁₆	3 ³ / ₈
SNG 519-616D	280	58	18	M16	TSNG 519	85	3 ⁵ / ₁₆	3 ³ / ₈	TSNG 616	90	3 ⁷ / ₁₆	3 ¹ / ₂
SNG 520-617D	300	66	18	M16	TSNG 520	90	3 ⁷ / ₁₆	3 ¹ / ₂	TSNG 617			
SNG 522-619D	320	74	18	M16	TSNG 522	100	3 ¹⁵ / ₁₆	4	TSNG 619			
SNG 524-620D	330	74	18	M16	TSNG 524	110	4 ³ / ₁₆	4 ¹ / ₄	TSNG 620			
SNG 526D	370	80	22	M20	TSNG 526	115	4 ⁷ / ₁₆	4 ¹ / ₂				
SNG 528D	400	92	26	M24	TSNG 528	125	4 ¹⁵ / ₁₆	5				
SNG 530D	430	100	26	M24	TSNG 530	135	5 ³ / ₁₆	5 ¹ / ₄				
SNG 532D	450	100	26	M24	TSNG 532	140	5 ⁷ / ₁₆	5 ¹ / ₂				

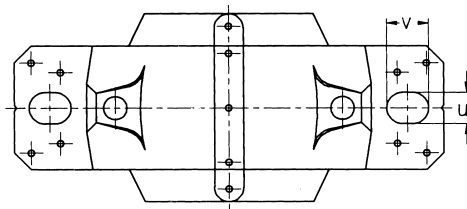
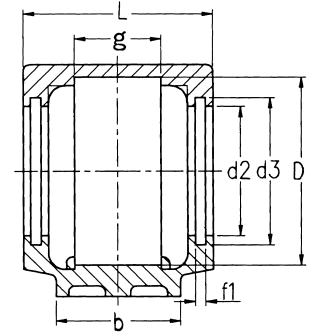
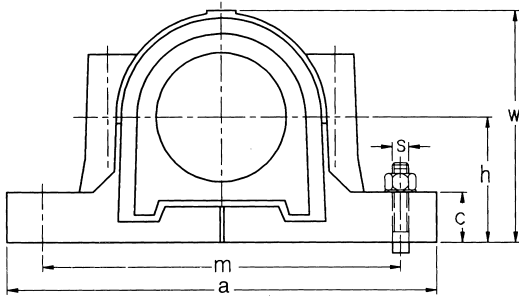
NUOVO DISEGNO MULTIFUNZIONALE "SNG"
"SNG" NEW DESIGN WITH MULTIFUNCTIONS

KDF®

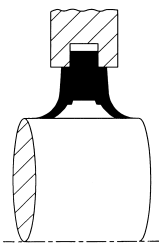
INTERCAMBIABILE CON SUPPORTI SNH, SNU, SNA.

INTER-EXCHANGEABLE WITH BEARING HOUSING SNH, SNU, SNA.

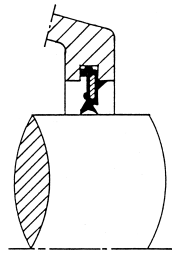




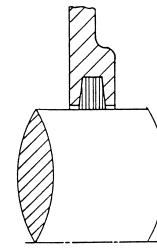
Tipo Type n.	Supporto Diam. albero Shaft DIA.			D H8	a	b	c	g H12	h jS11	L	w	m	S Bullone Bolt	U	V	d2 H12	d3 H12	f1
	mm metric	pollici / inches																
SNG 507-606	30	1 ¹ / ₈	1 ³ / ₁₆	72	185	52	22	34	50	82	92	150	M12	15	20	46.5	54.5	5
SNG 508-607	35	1 ⁵ / ₁₆	1 ³ / ₈	80	205	60	25	39	60	85	106	170	M12	15	20	51.5	59.5	5
SNG 509	40	1 ¹ / ₂	1 ⁹ / ₁₆	85	205	60	25	30	60	85	109	170	M12	15	20	56.5	64.5	5
SNG 510-608	45	1 ¹¹ / ₁₆	1 ³ / ₄	90	205	60	25	41	60	90	112	170	M12	15	20	62	70.5	5
SNG 511-609	50	1 ¹⁵ / ₁₆	2	100	255	70	28	44	70	95	127	210	M16	18	23	67	75.5	5
SNG 512-610	55	2 ¹ / ₈	2 ³ / ₁₆	110	255	70	30	48	70	105	133	210	M16	18	23	72	80.5	5
SNG 513-611	60	2 ¹ / ₄	2 ⁵ / ₁₆	120	275	80	30	51	80	110	148	230	M16	18	24	77	85.5	5
SNG 515-612	65	2 ⁷ / ₁₆	2 ¹ / ₂	130	280	80	30	56	80	115	154	230	M16	18	26	87	95.5	5
SNG 516-613	70	2 ¹¹ / ₁₆	2 ³ / ₄	140	315	90	32	58	95	120	175	260	M20	22	29	92.5	101	5
SNG 517	75	2 ¹⁵ / ₁₆	3	150	320	90	32	61	95	125	181	260	M20	22	30	97.5	106	5
SNG 518-615	80	3 ³ / ₁₆	3 ¹ / ₄	160	345	100	35	65	100	140	192	290	M20	22	27	102.5	111	5
SNG 519-616	85	3 ⁵ / ₁₆	3 ³ / ₈	170	345	100	35	68	112	145	209	290	M20	22	27	131	141	6
SNG 520-617	90	3 ⁷ / ₁₆	3 ¹ / ₂	180	380	110	40	70	112	160	215	320	M24	26	32	137.5	147.5	6
SNG 522-619	100	3 ¹⁵ / ₁₆	4	200	410	120	45	80	125	175	239	350	M24	26	32	147.5	157.5	6
SNG 524-620	110	4 ³ / ₁₆	4 ¹ / ₄	215	410	120	45	86	140	185	271	350	M24	26	32	157.5	167.5	6
SNG 526	115	4 ⁷ / ₁₆	4 ¹ / ₂	230	445	130	50	90	150	190	290	380	M24	28	35	167.5	177.5	6
SNG 528	125	4 ¹⁵ / ₁₆	5	250	500	150	50	98	150	205	302	420	M30	35	42	177.5	187.5	6
SNG 530	135	5 ³ / ₁₆	5 ¹ / ₄	270	530	160	60	106	160	220	323	450	M30	35	42	192.5	202.5	6
SNG 532	140	5 ⁷ / ₁₆	5 ¹ / ₂	290	550	160	60	114	170	235	344	470	M30	35	42	202.5	212.5	6



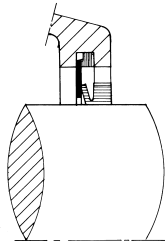
TENUTA IN POLIURETANO
"TSNG" PER SUPPORTI: SNG-SNU
"TSNG" POLYURETHAN SEAL FOR:
SNG-SNU TYPE



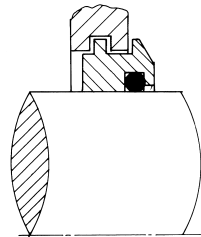
TENUTA IN GOMMA U-LOK "TSNU"
PER SUPPORTI: SNG-SNU
"TSNU" U-LOK RUBBER SEAL FOR:
SNG-SNU TYPE



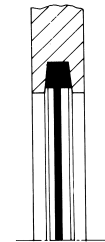
TENUTA IN FELTRO "TSNC"
PER SUPPORTI: SNG-SNU
"TSNC" FELT SEAL FOR:
SNG-SNU TYPE



TENUTA V-RING "TSNA"
PER SUPPORTI: SNG-SNU
"TSNA" V-RING SEAL FOR:
SNG-SNU TYPE



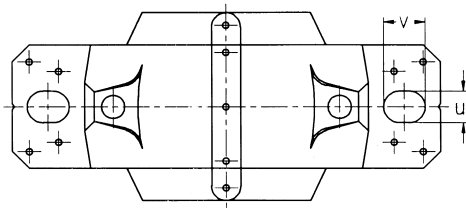
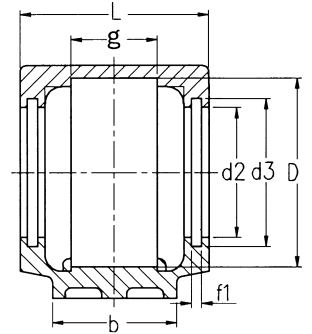
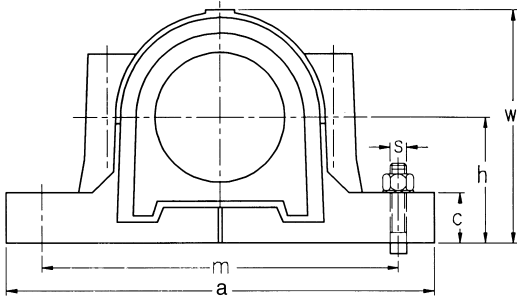
TENUTA A LABIRINTO "TSNS"
PER SUPPORTI: SNG-SNU
"TSNS" LABYRINTH SEAL FOR:
SNG-SNU TYPE



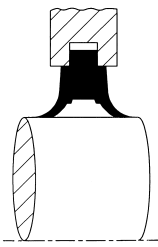
COPERCHIO DI CHIUSURA "A"
PER SUPPORTI: SNG-SNU-SN-SSN
"A" END COVER FOR:
SNG-SNU-SN-SSN-TYPE

Unità di misura (unit): mm.

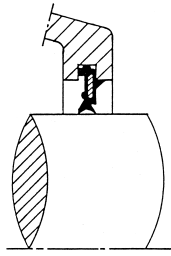
Cuscinetto N. Bearing No.		Bussola (metrica) Adapter sleeve (metric)	Anello di centraggio Locating ring		Peso Weight Kg	"TSNG"	"TSNU"	"TSNC"	"TSNA"	"TSNS"	"A"	Tipo Type n.
Cuscinetto a sfere Self-align. ball	Cuscinetto a rulli Spherical roller		Tipo Type	Q.tà Q.ty		Tenuta in poliuretano Polyurethan seal	Tenuta in gomma U-Lok Rubber seal U-Lok	Tenuta in feltro Felt seal	Tenuta V-Ring V-Ring seal	Tenuta a labirinto Labyrinth seal		
1207 K	-	H 207	SR 72x8.5	2	2.2	TSNG 507	TSNU 507	TSNC 507	TSNA 507	TSNS 507	A 507-606	SNG 507-606
2207 K	22207 K	H 307	SR 72x5.5	2								
1208 K	-	H 208	SR 80x10.5	2	2.8	TSNG 508	TSNU 508	TSNC 508	TSNA 508	TSNS 508	A 508-607	SNG 508-607
2208 K	22208 K	H 308	SR 80x8	2								
1209 K	-	H 209	SR 85x5.5	2	3.0	TSNG 509	TSNU 509	TSNC 509	TSNA 509	TSNS 509	A 509	SNG 509
2209 K	22209 K	H 309	SR 85x7	1								
1210 K	-	H 210	SR 90x10.5	2	3.1	TSNG 510	TSNU 510	TSNC 510	TSNA 510	TSNS 510	A 510-608	SNG 510-608
2210 K	22210 K	H 310	SR 90x9	2								
1211 K	-	H 211	SR 100x11.5	2	4.5	TSNG 511	TSNU 511	TSNC 511	TSNA 511	TSNS 511	A 511-609	SNG 511-609
2211 K	22211 K	H 311	SR 100x9.5	2								
1212 K	-	H 212	SR 110x13	2	5.0	TSNG 512	TSNU 512	TSNC 512	TSNA 512	TSNS 512	A 512-610	SNG 512-610
2212 K	22212 K	H 312	SR 110x10	2								
1213 K	-	H 213	SR 120x14	2	6.1	TSNG 513	TSNU 513	TSNC 513	TSNA 513	TSNS 513	A 513-611	SNG 513-611
2213 K	22213 K	H 313	SR 120x10	2								
1215 K	-	H 215	SR 130x15.5	2	6.5	TSNG 515	TSNU 515	TSNC 515	TSNA 515	TSNS 515	A 515-612	SNG 515-612
2215 K	22215 K	H 315	SR 130x12.5	2								
1216 K	-	H 216	SR 140x16	2	9.0	TSNG 516	TSNU 516	TSNC 516	TSNA 516	TSNS 516	A 516-613	SNG 516-613
2216 K	22216 K	H 316	SR 140x12.5	2								
1217 K	-	H 217	SR 150x16.5	2	10.2	TSNG 517	TSNU 517	TSNC 517	TSNA 517	TSNS 517	A 517	SNG 517
2217 K	22217 K	H 317	SR 150x12.5	2								
1218 K	-	H 218	SR 160x17.5	2	12.4	TSNG 518	TSNU 518	TSNC 518	TSNA 518	TSNS 518	A 518-615	SNG 518-615
2218 K	22218 K	H 318	SR 160x12.5	2								
	23218 K	H 2318	SR 160x12.5	1								
1219 K	-	H 219	SR 170x18	2	13.5	TSNG 519	TSNU 519	TSNC 519	TSNA 519	TSNS 519	A 519-616	SNG 519-616
2219 K	22219 K	H 319	SR 170x12.5	2								
2220 K	22220 K	H 320	SR 180x12	2	17.5	TSNG 520	TSNU 520	TSNC 520	TSNA 520	TSNS 520	A 520-617	SNG 520-617
-	23220 K	H 2320	SR 180x9.7	1								
2222 K	22222 K	H 322	SR 200x13.5	2	20.5	TSNG 522	TSNU 522	TSNC 522	TSNA 522	TSNS 522	A 522-619	SNG 522-619
-	23222 K	H 2322	SR 200x10	1								
-	22224 K	H 3124	SR 215x14	2	25.5	TSNG 524	TSNU 524	TSNC 524	TSNA 524	TSNS 524	A 524-620	SNG 524-620
	23224 K	H 2324	SR 215x10	1								
-	22226 K	H 3126	SR 230x13	2	33.0	TSNG 526	TSNU 526	TSNC 526	TSNA 526	TSNS 526	A 526	SNG 526
	23226 K	H 2326	SR 230x10	1								
-	22228 K	H 3128	SR 250x15	2	42.0	TSNG 528	TSNU 528	TSNC 528	TSNA 528	TSNS 528	A 528	SNG 528
	23228 K	H 2328	SR 250x10	1								
-	22230 K	H 3130	SR 270x16.5	2	53.0	TSNG 530	TSNU 530	TSNC 530	TSNA 530	TSNS 530	A 530	SNG 530
	23230 K	H 2330	SR 270x10	1								
-	22232 K	H 3132	SR 290x17	2	55.0	TSNG 532	TSNU 532	TSNC 532	TSNA 532	TSNS 532	A 532	SNG 532
	23232 K	H 2332	SR 290x10	1								



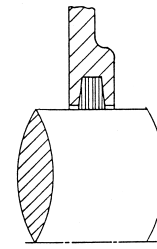
Tipo Type n.	Diam. albero Shaft DIA.		D H8	a	b	c	g H12	h jS11	L	w	m	S Bullone Bolt	U	V	d2 H12	d3 H12	f1	
	mm metric	pollici - inches																
SNG 508-607	30	1 1/8	13 1/16	80	205	60	25	39	60	85	106	170	M12	15	20	51.5	59.5	5
SNG 510-608	35	1 5/16	1 3/8	90	205	60	25	41	60	90	112	170	M12	15	20	62	70.5	5
SNG 511-609	40	1 1/2	19 1/16	100	255	70	28	44	70	95	127	210	M16	18	23	67	75.5	5
SNG 512-610	45	1 11/16	1 3/4	110	255	70	30	48	70	105	133	210	M16	18	23	72	80.5	5
SNG 513-611	50	1 15/16	2	120	275	80	30	51	80	110	148	230	M16	18	24	77	85.5	5
SNG 515-612	55	2 1/8	2 3/16	130	280	80	30	56	80	115	154	230	M16	18	26	87	95.5	5
SNG 516-613	60	2 1/4	2 5/16	140	315	90	32	58	95	120	175	260	M20	22	29	92.5	101	5
SNG 518-615	65	2 7/16	2 1/2	160	345	100	35	65	100	140	192	290	M20	22	27	102.5	111	5
SNG 519-616	70	2 11/16	2 3/4	170	345	100	35	68	112	145	209	290	M20	22	27	131	141	6
SNG 520-617	75	2 15/16	3	180	380	110	40	70	112	160	215	320	M24	26	32	137.5	147.5	6
SNG 522-619	85	3 5/16	3 3/8	200	410	120	45	80	125	175	239	350	M24	26	32	147.5	157.5	6
SNG 524-620	90	3 7/16	3 1/2	215	410	120	45	86	140	185	271	350	M24	26	32	157.5	167.5	6



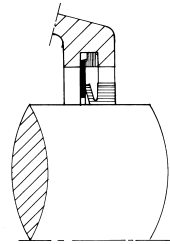
TENUTA IN POLIURETANO
"TSNG" PER SUPPORTI: SNG-SNU
"TSNG" POLYURETHAN SEAL FOR:
SNG-SNU TYPE



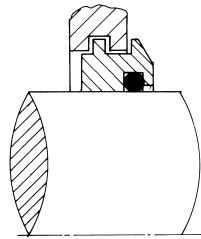
TENUTA IN GOMMA U-LOK "TSNU"
PER SUPPORTI: SNG-SNU
"TSNU" U-LOK RUBBER SEAL FOR:
SNG-SNU TYPE



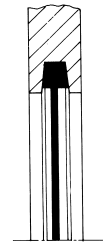
TENUTA IN FELTRO "TSNC"
PER SUPPORTI: SNG-SNU
"TSNC" FELT SEAL FOR:
SNG-SNU TYPE



TENUTA V-RING "TSNA"
PER SUPPORTI: SNG-SNU
"TSNA" V-RING SEAL FOR:
SNG-SNU TYPE



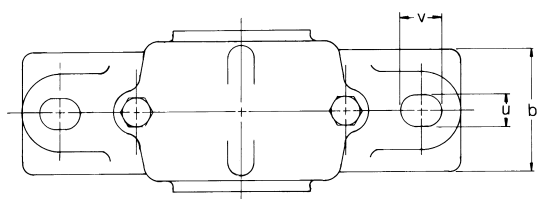
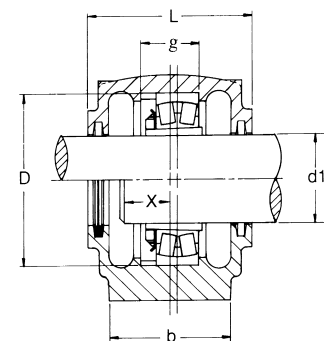
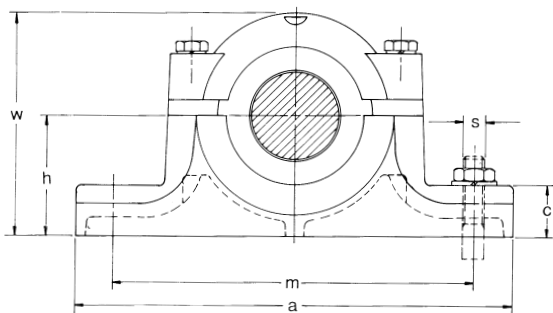
TENUTA A LABIRINTO "TSNS"
PER SUPPORTI: SNG-SNU
"TSNS" LABYRINTH SEAL FOR:
SNG-SNU TYPE



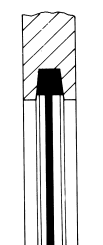
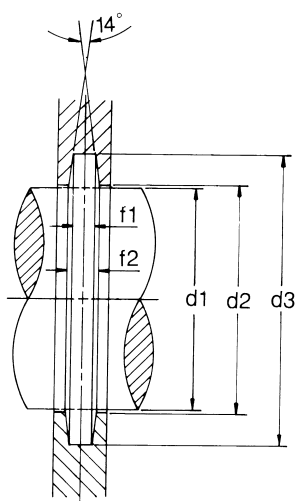
COPERCHIO DI CHIUSURA "A"
PER SUPPORTI: SNG-SNU-SN-SSN
"A" END COVER FOR:
SNG-SNU-SN-SSN-TYPE

Unità di misura (unit): mm.

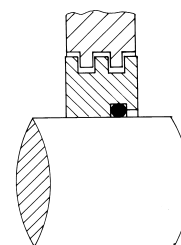
Cuscinetto N. Bearing No.		Bussola (metrica)	Anello di centraggio Locating ring		Peso Weight (Kg)	"TSNG" Tenuta in poliuretano Polyurethan seal	"TSNU" Tenuta in gomma U-Lok Rubber seal U-Lok	"TSNC" Tenuta in feltro Felt seal	"TSNA" Tenuta V-Ring V-Ring seal	"TSNS" Tenuta a labirinto Labyrinth seal	"A" Coperchio di misura End cover	Tipo Type n.
Cuscinetto a sfere Self-align. ball	Cusc. orient. a rulli doppia corona di sfere Spherical roller	Adapter sleeve (metric)	Tipo Type	Q.tà Q.ty								
1307 K	-	H 307	SR 80x9	2	2.8	TSNG 607	TSNU 607	TSNC 607	TSNA 607	TSNS 607	A 508-607	SNG 508-607
2307 K	-	H 2307	SR 80x8	1								
1308 K	21308 K	H 308	SR 90x9	2	3.1	TSNG 608	TSNU 608	TSNC 608	TSNA 608	TSNS 608	A 510-608	SNG 510-608
2308 K	22308 K	H 2308	SR 90x8	1								
1309 K	21309 K	H 309	SR 100x9.5	2	4.5	TSNG 609	TSNU 609	TSNC 609	TSNA 609	TSNS 609	A 511-609	SNG 511-609
2309 K	22309 K	H 2309	SR 100x8	1								
1310 K	21310 K	H 310	SR 110x10.5	2	5.0	TSNG 610	TSNU 610	TSNC 610	TSNA 610	TSNS 610	A 512-610	SNG 512-610
2310 K	22310 K	H 2310	SR 110x8	1								
1311 K	21311 K	H 311	SR 120x11	2	6.1	TSNG 611	TSNU 611	TSNC 611	TSNA 611	TSNS 611	A 513-611	SNG 513-611
2311 K	22311 K	H 2311	SR 120x8	1								
1312 K	21212 K	H 312	SR 130x12.5	2	6.5	TSNG 612	TSNU 612	TSNC 612	TSNA 612	TSNS 612	A 515-612	SNG 515-612
2312 K	22312 K	H 2312	SR 130x10	1								
1313 K	21213 K	H 313	SR 140x12.5	2	9.0	TSNG 613	TSNU 613	TSNC 613	TSNA 613	TSNS 613	A 516-613	SNG 516-613
2313 K	22313 K	H 2313	SR 140x10	1								
1315 K	21215 K	H 315	SR 160x14	2	12.4	TSNG 615	TSNU 615	TSNC 615	TSNA 615	TSNS 615	A 518-615	SNG 518-615
2315 K	22315 K	H 2315	SR 160x10	1								
1316 K	21316 K	H 316	SR 170x14.5	2	13.5	TSNG 616	TSNU 616	TSNC 616	TSNA 616	TSNS 616	A 519-616	SNG 519-616
2316 K	22316 K	H 2316	SR 170x10	1								
1317 K	21317 K	H 317	SR 180x14.5	2	17.5	TSNG 617	TSNU 617	TSNC 617	TSNA 617	TSNS 617	A 520-617	SNG 520-617
2317 K	22317 K	H 2317	SR 180x10	1								
1319 K	-	H 319	SR 200x17.5	2	20.5	TSNG 619	TSNU 619	TSNC 619	TSNA 619	TSNS 619	A 522-619	SNG 522-619
2319 K	22319 K	H 2319	SR 200x13	1								
-	-	-	-	-	25.5	TSNG 620	TSNU 620	TSNC 620	TSNA 620	TSNS 620	A 524-620	SNG 524-620
2320 K	22320 K	H 2320	SR 215x13	1								



Tipo Type n.	Diam. albero Shaft DIA. d1		D H8	a	b	c	g H12	h h12	L ±0.5	w	m	U	S Bullone Bolt	V
	mm metric	pollici inches												
SN 506	25	1	62	185	52	22	30	50	77	90	150	M12	15	20
SN 507	30	1 1/8	72	185	52	22	33	50	82	95	150	M12	15	20
SN 508	35	1 1/4	80	205	60	25	33	60	85	110	170	M12	15	20
SN 509	40	1 1/2	85	205	60	25	31	60	85	112	170	M12	15	20
SN 510	45	1 3/4	90	205	60	25	33	60	90	115	170	M12	15	20
SN 511	50	2	100	255	70	28	33	70	95	130	210	M16	18	23
SN 512	55	2 1/8	110	255	70	30	38	70	105	135	210	M16	18	23
SN 513	60	2 1/4	120	275	80	30	43	80	110	150	230	M16	18	23
SN 515	65	2 1/2	130	280	80	30	41	80	115	155	230	M16	18	23
SN 516	70	2 3/4	140	315	90	32	43	95	120	175	260	M20	22	27
SN 517	75	3	150	320	90	32	46	95	125	185	260	M20	22	27
SN 518	80	3 1/4	160	345	100	35	62.4	100	145	195	290	M20	22	27
SN 519	85	-	170	345	100	35	53	112	140	210	290	M20	22	27
SN 520	90	3 1/2	180	380	110	40	70.3	112	160	218	320	M24	26	32
SN 522	100	4	200	410	120	45	80	125	175	240	350	M24	26	32
SN 524	110	4 1/4	215	410	120	45	86	140	185	270	350	M24	26	32
SN 526	115	4 1/2	230	445	130	50	90	150	190	290	380	M24	28	36
SN 528	125	5	250	500	150	50	98	150	205	305	420	M30	33	42
SN 530	135	5 1/4	270	530	160	60	106	160	220	325	450	M30	33	42
SN 532	140	5 1/2	290	550	160	60	114	170	235	345	470	M30	33	42



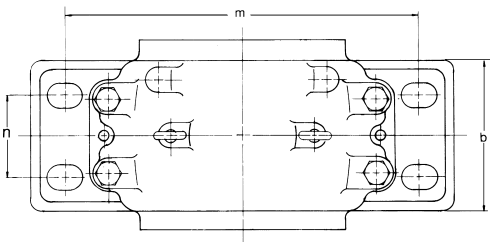
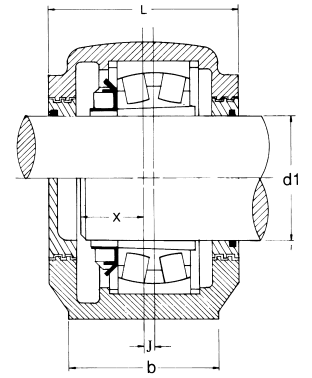
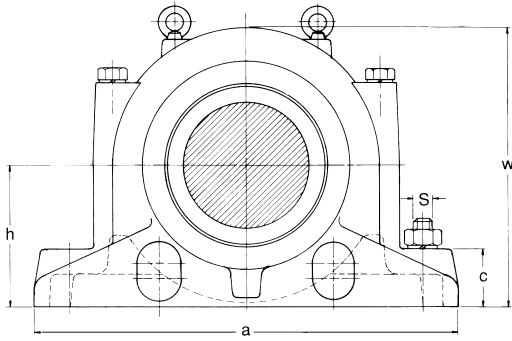
COPERCHIO DI CHIUSURA "A"
PER SUPPORTI: SNG-SNU-SN-SSN
"A" END COVER FOR:
SNG-SNU-SN-SSN-TYPE



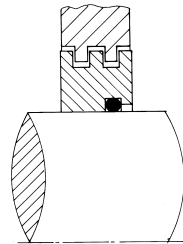
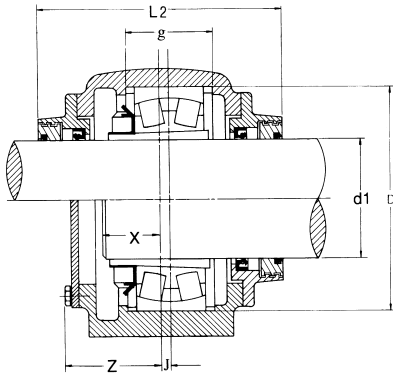
TENUTE A LABIRINTO "TS"
PER SUPPORTI: SN-SSN-SD
"TS" LABYRINTH SEAL FOR:
SN-SSN-SD TYPE

SE NON DIVERSAMENTE SPECIFICATO
VIENE FORNITO IL SUPPORTO APERTO TIPO "B"
UNLESS SPECIFIED "B" TYPE OPEN HOUSING SUPPLIED

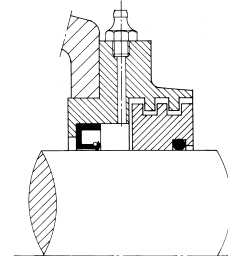
X (REF.)	d2 H12	d3 H12	f1 H13	f2 (REF.)	Peso weight (Kg)	Cuscinetto N. Bearing No.		Bussola Adapter sleeve		Anello di centraggio Locating ring		"A" Coperchio di misura End cover	"TS" Tenuta a labirinto Labyrinth seal	Tipo Type n.
						cuscinetto a sfere self-align. ball	cusc. orient. a rulli doppia cora di sfere spherical roller	mm metric	pollici inches	Numero Number	Q.tà Q.ty			
22	26.5	38	4	5.4	1.6	1206 K 2206 K	22206 K	H 206 H 306	HE 206 HE 306	SR 62x7 SR 62x10	2 1	A 506	TS 506	SN 506
24	31.5	43	4	5.4	2.1	1207 K 2207 K	22207 K	H 207 H 307	HE 207 HE 307	SR 72x8 SR 72x10	2 1	A 507	TS 507	SN 507
26	36.5	48	4	5.4	2.7	1208 K 2208 K	22208 K	H 208 H 308	HE 208 HE 308	SR 80x7.5 SR 80x10	2 1	A 508	TS 508	SN 508
28	41.5	53	4	5.4	2.8	1209 K 2209 K	22209 K	H 209 H 309	HE 209 HE 309	SR 85x6 SR 85x8	2 1	A 509	TS 509	SN 509
28	46.5	58	4	5.4	3.0	1210 K 2210 K	22210 K	H 210 H 310	HE 210 HE 310	SR 90x6.5 SR 90x10	2 1	A 510	TS 510	SN 510
30	51.5	67	5	6.9	4.0	1211 K 2211 K	22211 K	H 211 H 311	HE 211 HE 311	SR 100x6 SR 100x8	2 1	A 511	TS 511	SN 511
32	56.5	72	5	6.9	4.5	1212 K 2212 K	22212 K	H 212 H 312	HE 212 HE 312	SR 110x8 SR 110x10	2 1	A 512	TS 512	SN 512
36	62	77	5	6.8	5.5	1213 K 2213 K	22213 K	H 213 H 313	HE 213 HE 313	SR 120x10 SR 120x12	2 1	A 513	TS 513	SN 513
38	67	82	5	6.8	6.0	1215 K 2215 K	22215 K	H 215 H 315	HE 215 HE 315	SR 130x8 SR 130x10	2 1	A 515	TS 515	SN 515
40	72	89	6	8.1	8.2	1216 K 2216 K	22216 K	H 216 H 316	HE 216 HE 316	SR 140x8.5 SR 140x10	2 1	A 516	TS 516	SN 516
42	77	94	6	8.1	9.0	1217 K 2217 K	22217 K	H 217 H 317	HE 217 HE 317	SR 150x9 SR 150x10	2 1	A 517	TS 517	SN 517
50	82	99	6	8.1	11.6	1218 K 2218 K	22218 K 23218 K	H 218 H 318 H 2318	HE 218 HE 318 HE 2318	SR 160x16.2 SR 160x11.2 SR 160x10	2 2 1	A 518	TS 518	SN 518
52	87	104	6	8.1	11.8	1219 K 2219 K	22219 K	H 219 H 319	HE 219 HE 319	SR 170x10.5 SR 170x10	2 1	A 519	TS 519	SN 519
54	92	111	7	9.3	15.5	2220 K	22220 K 23220 K	H 320 H 2320	HE 320 HE 2320	SR 180x12.1 SR 180x10	2 1	A 520	TS 520	SN 520
60	102	125	8	10.8	19	2222 K	22222 K 23222 K	H 322 H 2322	HE 322 HE 2322	SR 200x13.5 SR 200x10	2 1	A 522	TS 522	SN 522
64	113	135	8	10.7	23	2224 K	23224 K	H 3124 H 2324	HE 3124 HE 2324	SR 215x14 SR 215x10	2 1	A 524	TS 524	SN 524
64	118	140	8	10.7	28	2226 K	23226 K	H 3126 H 2326	HE 3126 HE 2326	SR 230x13 SR 230x10	2 1	A 526	TS 526	SN 526
70	128	154	9	12.2	37	2228 K	23228 K	H 3128 H 2328	HE 3128 HE 2328	SR 250x15 SR 250x10	2 1	A 528	TS 528	SN 528
76	138	164	9	12.2	44	2230 K	23230 K	H 3130 H 2330	HE 3130 HE 2330	SR 270x16.5 SR 270x10	2 1	A 530	TS 530	SN 530
80	143	173	10	13.7	50	2232 K	23232 K	H 3132 H 2332	HE 3132 HE 2332	SR 290x17 SR 290x10	2 1	A 532	TS 532	SN 532



Tipo Type n.	Diam. albero Shaft DIA. d1		D H8	a	b	c	g H12	h h12	L ±0.5	L2	w	m	n
	mm metric	pollici inches											
SD 3134	150	6	280	510	180	70	108	170	230	308	335	430	100
SD 3136	160	6 ¹ / ₂	300	530	190	75	116	180	240	318	355	450	110
SD 3138	170	6 ³ / ₄	320	560	210	80	124	190	260	336	375	480	120
SD 3140	180	7	340	610	230	85	132	210	280	356	410	510	130
SD 3144	200		370	640	240	90	140	220	290	368	435	540	140
SD 3148	220		400	700	260	95	148	240	310	388	475	600	150
SD 3152	240		440	770	280	100	164	260	320	400	515	650	160
SD 3156	260		460	790	280	105	166	280	320	400	550	670	160
SD 3160	280		500	830	310	110	180	300	350	426	590	710	190
SD 3164	300		540	880	330	115	196	320	370	448	630	750	200
SD 3168	320		580	965	380	120	210	340	390	488	670	840	240
SD 3172	340		600	1040	390	130	212	360	390	498	720	890	255
SD 3176	360		620	1120	400	135	214	380	405	520	750	980	255
SD 3180	380		650	1245	420	140	220	400	425	543	790	1050	270



TENUTE A LABIRINTO "TS"
PER SUPPORTI: SN-SSN-SD
"TS" LABYRINTH SEAL FOR:
SN-SSN-SD TYPE



CHIUSURA DI TACONITE "TAC"
PER SUPPORTI: SSN-SD
"TAC" TACONITE COVER FOR:
SSN-SD TYPE

1. SE NON DIVERSAMENTE SPECIFICATO, VIENE FORNITO
IL SUPPORTO APERTO TIPO "B"

UNLESS SPECIFIED "B" TYPE OPEN HOUSING SUPPLIED

Unità di misura (unit): mm.

J	X	Z	S Bullone Bolt	Peso weight (Kg)	Cuscinetto N. Bearing No.	Bussola Adapter sleeve		Anello di centraggio Locating ring		"TS" Tenuta a labirinto Labyrinth seal	"TAC" Chiusura di taconite Taconite cover	Tipo Type n.
					Cusc.orient. a rulli doppia corona di sfere Spherical roller	mm metric	pollici inches	Numero Number	Q.tà Q.ty			
14	65	120	M24	70	23134 K	H 3134	HE 3134	SR 280x10	2	TS 3134	TAC 3134	SD 3134
15	68	130	M24	72	23136 K	H 3136	HE 3136	SR 300x10	2	TS 3136	TAC 3136	SD 3136
10	80	140	M24	88	23138 K	H 3138	HE 3138	SR 320x10	2	TS 3138	TAC 3138	SD 3138
10	82	150	M30	122	23140 K	H 3140	HE 3140	SR 340x10	2	TS 3140	TAC 3140	SD 3140
12	90	155	M30	136	23144 K	H 3144		SR 370x10	2	TS 3144	TAC 3144	SD 3144
12	100	160	M30	190	23148 K	H 3148		SR 400x10	2	TS 3148	TAC 3148	SD 3148
13	105	170	M36	238	23152 K	H 3152		SR 440x10	2	TS 3152	TAC 3152	SD 3152
16	105	170	M36	252	23156 K	H 3156		SR 460x10	2	TS 3156	TAC 3156	SD 3156
22	110	190	M36	290	23160 K	H 3160		SR 500x10	2	TS 3160	TAC 3160	SD 3160
23	120	200	M36	340	23164 K	H 3164		SR 540x10	2	TS 3164	TAC 3164	SD 3164
25	135	220	M45	430	23168 K	H 3168		SR 580x10	2	TS 3168	TAC 3168	SD 3168
22	145	225	M50	560	23172 K	H 3172		SR 600x10	2	TS 3172	TAC 3172	SD 3172
22	145	240	M55	770	23176 K	H 3176		SR 620x10	2	TS 3176	TAC 3176	SD 3176
22	150	260	M60	870	23180 K	H 3180		SR 650x10	2	TS 3180	TAC 3180	SD 3180

**SUPPORTO RITTO IN DUE METÀ IN SEZIONE
SECTION OF BEARING HOUSING**

KDF®

