

# **NELLE PAGINE SEGUENTI:**

*IN THE FOLLOWING PAGES:*

## **SPAZZOLE PER UTENSILI**

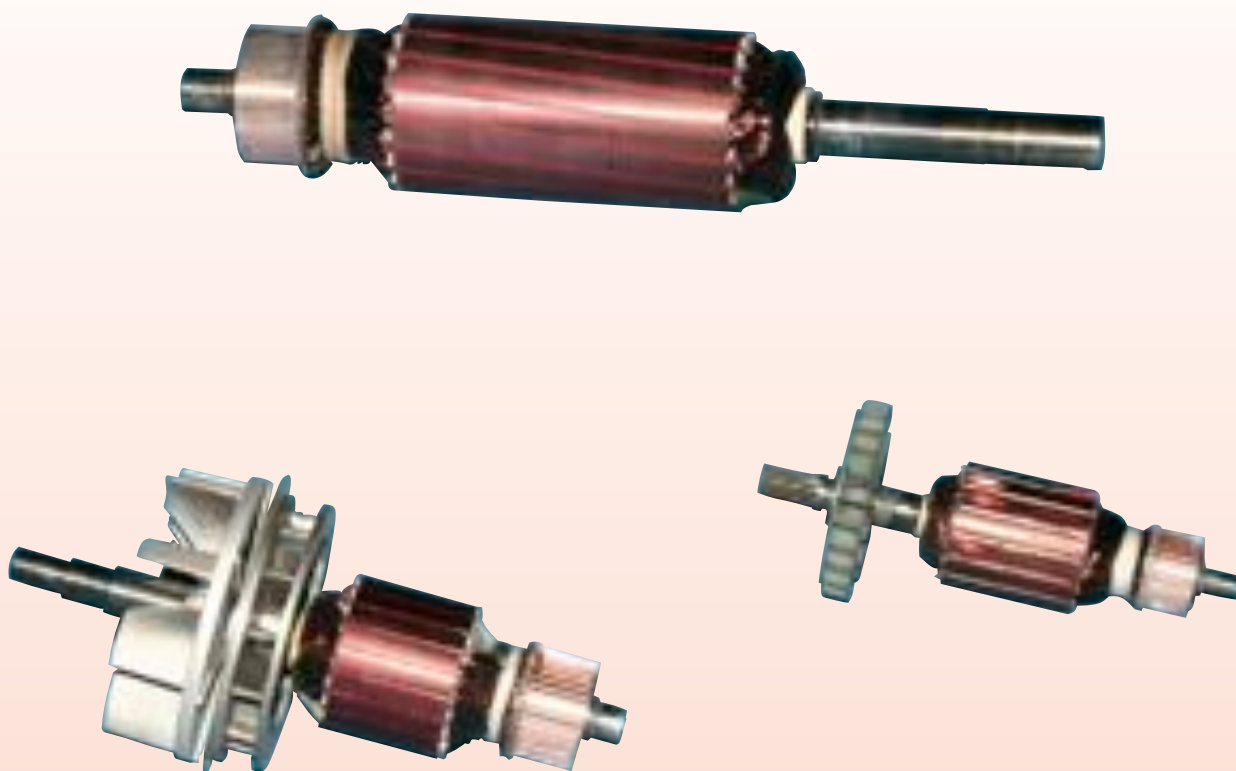
*BRUSHES FOR TOOLS*

## **PASSACAVI**

*FAIRLEADS*

## **CAVI MULTIPOLARI**

*MULTI-POLAR CABLES*



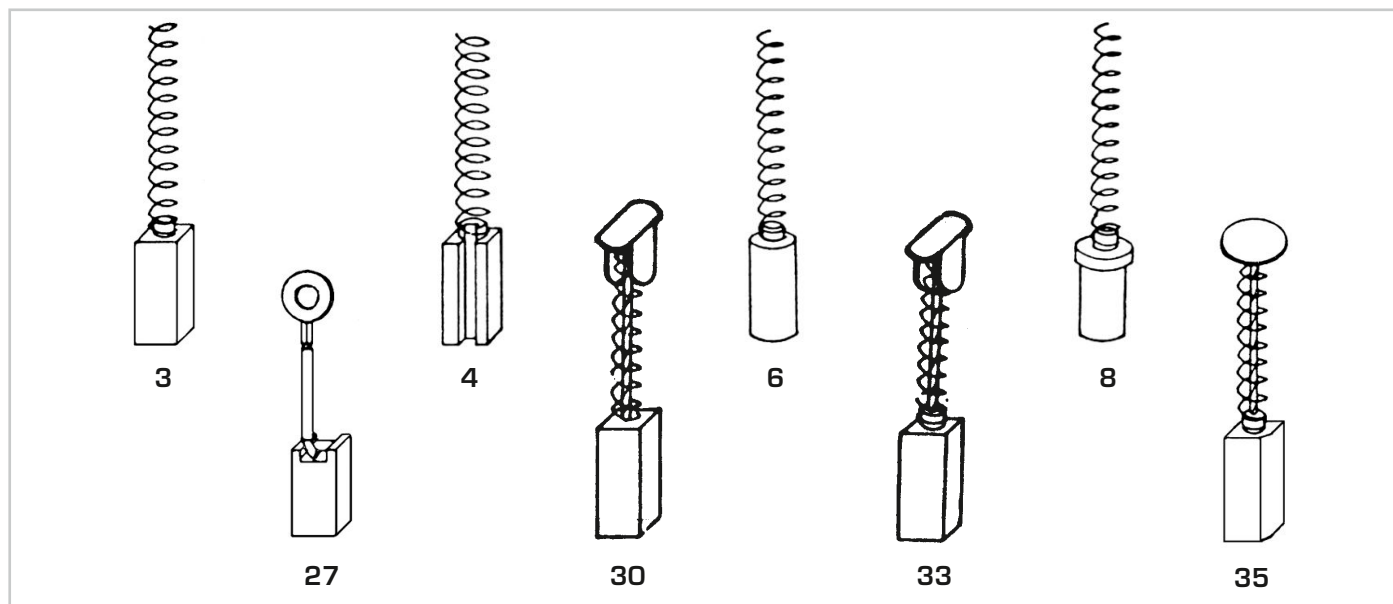
**SI RIAVVOLGONO INDOTTI PER ELETTROUTENSILI DI TUTTE LE MARCHE  
E INDOTTI PER MOTORI IN CORRENTE CONTINUA DI QUALSIASI DIMENSIONE**

*WE WIND ARMATURES FOR ELECTRIC TOOLS OF ALL BRANDS AND  
ARMATURES FOR DC MOTORS OF ANY SIZE.*

# SPAZZOLE PER ELETTRODOMESTICI E ELETTROPOMPE

## BRUSHES FOR HOUSE APPLIANCES AND ELECTRIC PUMPS

**MACCHINE PER CUCIRE - MACCHINE PER UFFICIO - VENTILATORI** / *SEWING MACHINES - OFFICE MACHINES - FANS*



Articolo Art.	Dimensioni mm. Dimensions mm.	Impiego Use	Figura Figure
<b>3486</b>	3.8x3.8x18/15	Motori ARDUINI / <i>Motors ARDUINI</i>	3
<b>3309</b>	3.9x18/15	Asciugacapelli / <i>Hair dryers</i>	6
<b>3354</b>	4.9x4.9x24/21	Ventilatori pala 30 MARELLI / <i>Fans blade 30 MARELLI</i>	3
<b>3310</b>	4.9x21/18	Asciugacapelli / <i>Hair dryers</i>	6
<b>3516</b>	5x4x14/12	Carboncini usi diversi / <i>Contacts, miscel. uses</i>	4
<b>3481</b>	5x4x18/15	Carboncini usi diversi / <i>Contacts, miscel. uses</i>	3
<b>3200</b>	5x5x15/12	Motorini GUTRIS DOMUS / <i>Motors GUTRIS DOMUS</i>	3
<b>3477</b>	5.8x4.8x18/15	Motori ARDUINI / <i>Motors ARDUINI</i>	3
<b>3268</b>	5.8x22/19	Ventilatori pala 25 MARELLI / <i>Fans blade 25 MARELLI</i>	6
<b>3355</b>	5.9x5.9x28/25	Ventilatori pala 40 MARELLI / <i>Fans blade 40 MARELLI</i>	3
<b>3489</b>	6x5x18/15	Motorini GUTRIS FIMET / <i>Motors GUTRIS FIMET</i>	3
<b>3484</b>	6x5x25/22	Carboncini usi diversi / <i>Contacts, miscel. uses</i>	3
<b>3326</b>	6x6x19/16	Aspirapolvere vari / <i>Vacuum cleaners</i>	33
<b>3339</b>	6x6x19/16	Macchine OLIVETTI / <i>Machines OLIVETTI</i>	35
<b>3517</b>	6x6x23/20	Aspirapolvere FOLLETO / <i>Vacuum cleaners FOLLETO</i>	33
<b>3490</b>	6x9x25/22	Motorini GUTRIS FIMET / <i>Motors GUTRIS FIMET</i>	3
<b>3334</b>	7/6x25/21	Ventilatore MARELLI / <i>Fans MARELLI</i>	6
<b>3332</b>	7.9x6.4x33/30	Lucidatrici SAN GIORGIO / <i>Floor polishers SAN GIORGIO</i>	33
<b>3323</b>	8x5x23/20	Lucidatrici diverse / <i>Floor polishers, various manufact</i>	33
<b>3373</b>	8x5x25/22	Carboncini usi diversi / <i>Contacts, miscel. uses</i>	3
<b>3422</b>	9x6x22/18	Motorini OLIVETTI / <i>Motors OLIVETTI</i>	33
<b>3330</b>	9x6x25/22	Lucidatrici diverse / <i>Floor polishers, various manuf.</i>	33
<b>3476</b>	9x6x25/22	Aspirapolvere diversi / <i>Vacuum cleaners</i>	3
<b>3318</b>	9x6x30	Aspirapolvere ELETTRILUX - CGE / <i>Vacuum cleaners ELETTRILUX - CGE</i>	30
<b>3250</b>	9/7.8x26/21	Reostati GUTRIS FIMET / <i>Rheostats GUTRIS FIMET</i>	8
<b>3301</b>	11.3x6.3x31.5	Aspirapolvere ind. ns. serie ASP. / <i>Ind. vacuum cleaners, our ASP. series</i>	33
<b>1302</b>	15x8x25	PLM 2/3 MARELLI / <i>CT 18/20 VEMA</i>	27

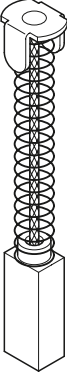
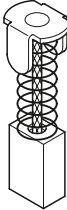
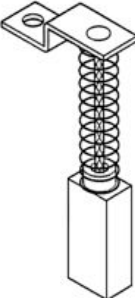
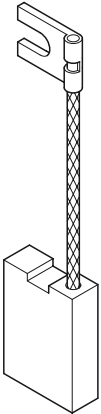
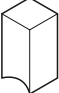
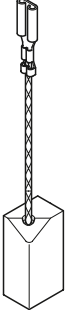
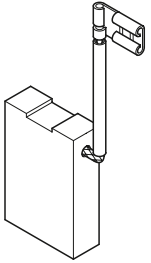
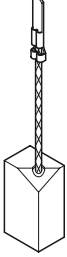
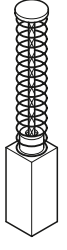
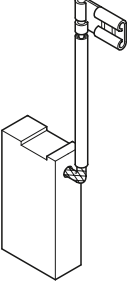
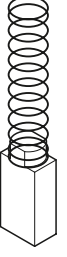
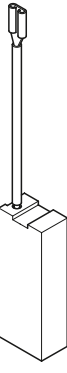
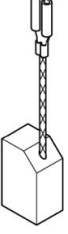
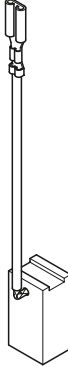
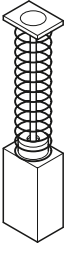

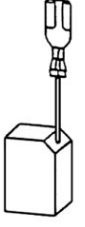
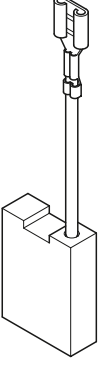

# SPAZZOLE ADATTABILI PER UTENSILI

## ADAPTABLE BRUSHES FOR TOOLS

**BLACK & DECKER**
**ELU**

Articolo Art.	Dimensioni mm. Dimensions mm.	Impiego Use	Figura Figure
<b>1002</b>	6x6x13	<b>SMERIGLIATRICI / LAPPING MACHINES</b> - P54/16	17
<b>1833</b>	6x6x14/19	<b>TRAPANI / DRILLS</b> - 6L-6/8M/8L2V/8GM	22
<b>1702</b>	6x6x15	<b>TRAPANI / DRILLS</b> - HM-GD-GM-HG <b>AVVITATRICI / TORQUE MACHINES</b> - HV25D	38
<b>1005</b>	6x6x15	<b>LEVIGATRICI / SANDERS</b> - DN67	38
<b>1011</b>	6x7x13.5	<b>TRAPANI / DRILLS</b> - BD562-BD564	90
<b>1003</b>	6x8x13.5	<b>SMERIGLIATRICI / LAPPING MACHINES</b> - P5411- P5412 - P5413 P5415 - P5416 - P5417 - PL82A - PL82A2 - BD12 - BD14	65
<b>1706</b>	6x8x14	<b>SMERIGLIATRICI / LAPPING MACHINES</b> - SAG850 - TSC	21
<b>1899</b>	6x8x15	<b>SMERIGLIATRICI / LAPPING MACHINES</b> - MAG 101/102 - DN12 - P.55/02	19
<b>1838</b>	6x8x15/18	<b>SMERIGLIATRICI / LAPPING MACHINES</b> - LAM - LEM <b>LEVIGATRICI / SANDERS</b> - OR - DN <b>PIALLETTO / SPLANE</b> - P71 - O1	50
<b>1004</b>	6x8x15	<b>LEVIGATRICI / SANDERS</b> - P63/O3	38
<b>2120</b>	6x8x16.5	<b>TRONCATRICE / CUT OFF SAW</b> - BD700 - BD800 - DN57 - DN800 DN810 - DN 820 - SR300 - SR700 <b>SEGA CIRCOLARE / CIRCULAR SAW</b> - P3703 B&D DE WALT	2
<b>1012</b>	6x8x18	<b>MARTELLO / HAMMER</b> - P80/20	80
<b>1082</b>	6x8x18	<b>TRAPANI / DRILLS</b> - BD423A - BD425RE - D425RE	40
<b>1830</b>	6x8x20/22	<b>TRAPANI / DRILLS</b> - 10 - 13 - 16SD - 23/322V <b>SMERIGLIATRICI / LAPPING MACHINES</b> - ANS/B - LEV 30	1
<b>1001</b>	6x12.5x24	<b>SMERIGLIATRICI / LAPPING MACHINES</b> - P59/22 - BI700 - P57/23 B&D DE WALT	36
<b>1704</b>	6.2x6.2x11	<b>TRAPANO / DRILL</b> - DNS	38
<b>1703</b>	6.2x6.2x13	<b>TRAPANI / DRILLS</b> - CK500 <b>SMERIGLIATRICI / LAPPING MACHINES</b> - SAG500/550 DN 10 AVV.SV/7V-SAB-SAT-P71/O3	17
<b>1772</b>	6.2x9.3x17/15	<b>MARTELLI / HAMMER</b> - MD2032 - MD2038 - P80/32 - P80/38	5
<b>1840</b>	6.2x12x24	<b>TRAPANI / DRILLS</b> - M232/262/322/R <b>SMERIGLIATRICI serie PAG vecchio tipo/LAPPING MACHINES serie PAG old type</b>	6
<b>1084</b>	6.3x8x13.5	<b>SMERIGLIATRICI / LAPPING MACHINES</b> - DW451A/B-DW451KA-WS12EA/B WS14EA/B/C-WS14EKA/B-WS14B/C	46
<b>2123</b>	6.3x12.5x23.5 Con autostacco with automatic disconnection	<b>SMERIGLIATRICI / LAPPING MACHINES</b> - BD2018 - BD2023 - DN2023 PL85A - SR283E - P5724 - P5732 - P5741 - P5922 - P5924 - P5932 P5952 - S900 <b>SEGA CIRCOLARE / CIRCULAR SAW</b> - P3902 <b>TRONCATRICE A DISCO / DISC CUT OFF SAW</b> - P3201 - P3202	20
<b>1837</b>	ø 6.3x13/14	<b>TRAPANI / DRILLS</b> - M500/520 - M700/720	55
<b>1841</b>	6.3x16x22	<b>SMERIGLIATRICI / LAPPING MACHINES</b> - SMEA 622/822 <b>SMERIGLIATRICI / LAPPING MACHINES</b> - PAG N.T. SMEA P.59/O3-P.59/12-P.59/16	6
<b>1087</b>	6.5x8x15	<b>SMERIGLIATRICI / LAPPING MACHINES</b> - KG65A - KG72A - KG90A	48
<b>1009</b>	6.5x16x24	<b>SMERIGLIATRICI BeD - ELU - DE WALT / LAPPING MACHINES</b> P57/52-P59/32-P59/52-P59/33-P57/22-P59/21-P59/41	20
<b>2124</b>	7x12x25	<b>SMERIGLIATRICI / LAPPING MACHINES</b> - SMEA/B - SMEA/C	1

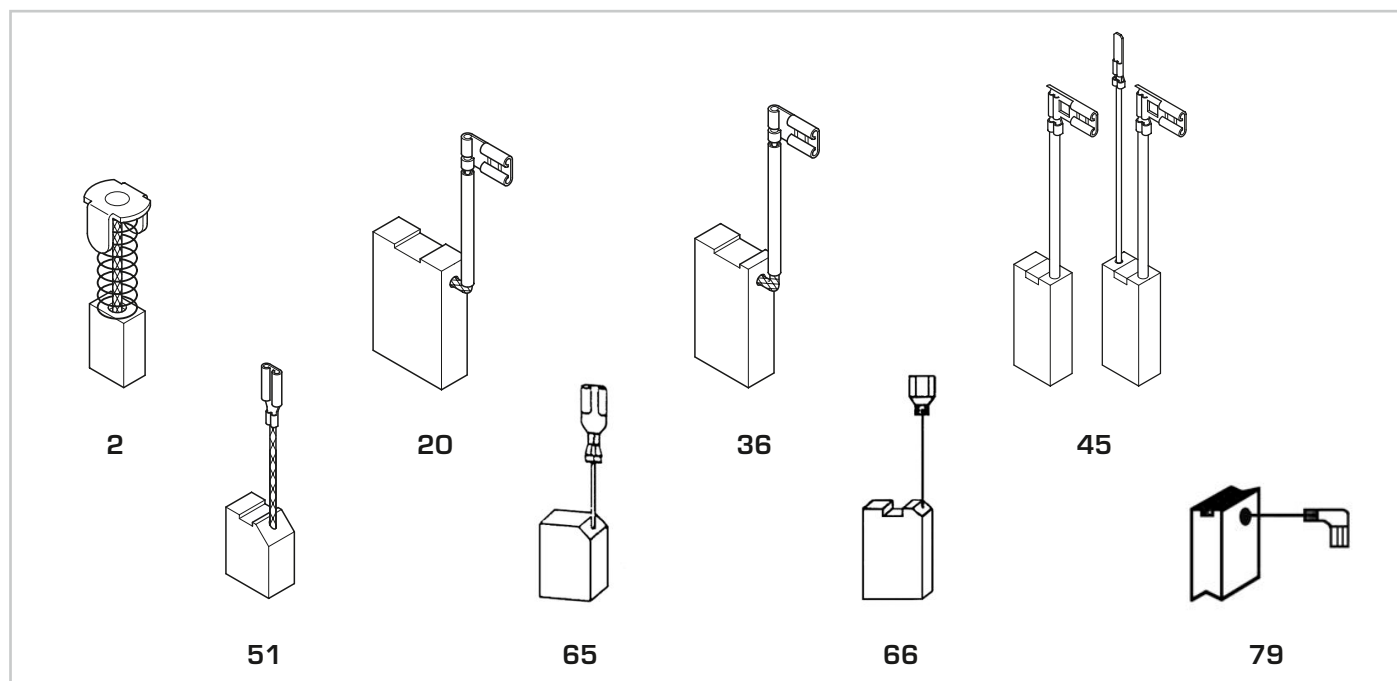
Confezioni in buste da 30-50 pezzi / Packs of 30-50 pcs.

						
<b>1</b>	<b>2</b>	<b>5</b>	<b>6</b>	<b>17</b>	<b>19</b>	<b>20</b>
						
<b>21</b>	<b>22</b>	<b>36</b>	<b>38</b>	<b>40</b>	<b>46</b>	<b>48</b>
						
<b>50</b>	<b>55</b>	<b>65</b>	<b>80</b>	<b>90</b>		

# SPAZZOLE ADATTABILI PER UTENSILI

## ADAPTABLE BRUSHES FOR TOOLS

DE WALT



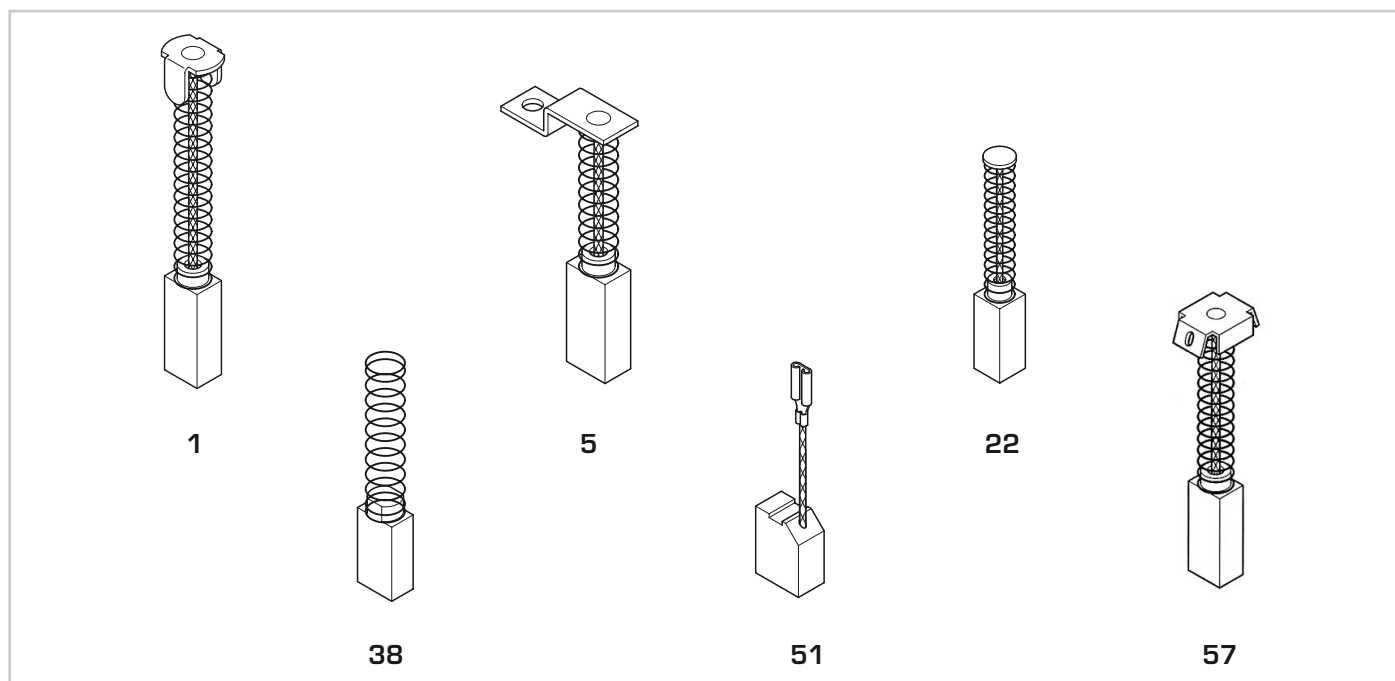
Articolo Art.	Dimensioni mm. Dimensions mm.	Impiego Use	Figura Figure
<b>2120</b>	6x8x16.5	<b>TRONCATRICE / CUT OFF SAW</b> - BD700 - BD800 - DN57 - DN800 DN810 - DN 820 - SR300 - SR700 <b>SEGA CIRCOLARE / CIRCULAR SAW</b> - P3703 B&D DE WALT	2
<b>1083 (coppia) (brace)</b>	6x10x24 Con autostacco with automatic disconnection	<b>MARTELLI / HAMMERS</b> - 5097A - DW541 - 541B - 541C 543A/B/C-545A/B/C-SH50EA-50EK <b>TRAPANI / DRILLS</b> - P8046A-BH40E-40EK-41E-45E-46E	45
<b>1707</b>	6x12.5x24	<b>SMERIGLIATRICI / LAPPING MACHINES</b> - P59/22-BI700-P57/23 B&D DE WALT	36
<b>2121</b>	6.3x8x13 Con autostacco with automatic disconnection	<b>SMERIGLIATRICI ANGOLARI / ANGLE LAPPING MACHINES</b> DW401-DW448-DW450K-DW451K - DW806-DW811-DW816-DW818 <b>SEGNETTO ALTERNATIVO / HACKSAW</b> - DW321K-DW322K-DW323K-DW324 <b>TRAPANO / DRILL</b> - DW133	65
<b>2122</b>	6.3x10x14 Con autostacco with automatic disconnection	<b>SMERIGLIATRICI ANGOLARI / ANGLE LAPPING MACHINES</b> DW458 - DW824	66
<b>1085</b>	6.3x10x14	<b>SMERIGLIATRICI ANGOLARI / ANGLE LAPPING MACHINES</b> DW458 - DW458K-DW42E-DW42V	51
<b>1086</b>	6.3x10x14 Con autostacco with automatic disconnection	<b>SMERIGLIATRICI / LAPPING MACHINES</b> WS42E-WS42V-DW458-DW458K	51
<b>1009</b>	6.5x16x24	<b>SMERIGLIATRICI B&amp;D DE WALT / LAPPING MACHINES</b> P57/52-P59/32-P59/52-P59/53 - P57/22-P59/21-P59/41	20
<b>2119</b>	7.2x10.6x16	<b>SEGHE CIRCOLARI / CIRCULAR SAWS - SEGNETTI / SMALL SAWS</b> <b>MESCOLATORI / MIXERS - AVVITATORI / SCREW DRIVERS</b> D21510-D21520 - DW292-DW294-DW302-DW303K-DW304PK- DW307-DW309 - TS812E-TS815E	79

Confezioni in buste da 30-50 pezzi / Packs of 30-50 pcs.

# SPAZZOLE ADATTABILI PER UTENSILI

## ADAPTABLE BRUSHES FOR TOOLS

FELISATTI



Articolo Art.	Dimensioni mm. Dimensions mm.	Impiego Use	Figura Figure
<b>1725</b>	6x6x13	<b>SMERIGLIATRICE / LAPPING MACHINE</b> - TP116 <b>LUCIDATRICE / POLISHER</b> - TP512/AS	38
<b>1726</b>	6x6x13	<b>SMERIGLIATRICI / LAPPING MACHINES</b> - TP115-TP100-TP602-TP116	22
<b>1724</b>	6x6x13/15	<b>TRAPANI / DRILLS</b> - TP266-TP267-TP613-TP6132P- TP6132PSE-TP716RLE-TP267E-TP268E	1
<b>1020</b>	6x6x16.5	<b>LEVIGATRICI / SANDERS</b> - TP518-518/100 - TP520AS	22
<b>1728</b>	6x9x20/22	<b>SMERIGLIATRICE / LAPPING MACHINE</b> - TP170 <b>LUCIDATRICI / POLISHERS</b> - TP513-TP514-TP515	5
<b>1024</b>	6.3x6.3x13	<b>TRAPANI / DRILLS</b> - T550-550A-550P-550PRE-T551P PRE T555P-PRE-TP601/2-TP601/2PRLE TP600/RLE-TP602-TP616-TP517-517/A-TPS516E	38
<b>1023</b>	6.3x16x21	<b>FRESATRICI / ROUTERS</b> - TP246 - 246/E <b>SMERIGLIATRICE / LAPPING MACHINE</b> - A24/6 CE	51
<b>1727</b>	6.5x12.5x20	<b>SMERIGLIATRICE / LAPPING MACHINE</b> - TP190/6/8 - TP200/6/8	1
<b>1729</b>	7x12x18	<b>FRESATRICE / ROUTER</b> - CT248	57
<b>1770</b>	6.4x16x20	<b>SMERIGLIATRICE / LAPPING MACHINE</b> - TP220/6/8	5
<b>1869</b>	9x12x25/28	<b>SMERIGLIATRICE / LAPPING MACHINE</b> - SF258	1

Confezioni in buste da 30-50 pezzi / Packs of 30-50 pcs.

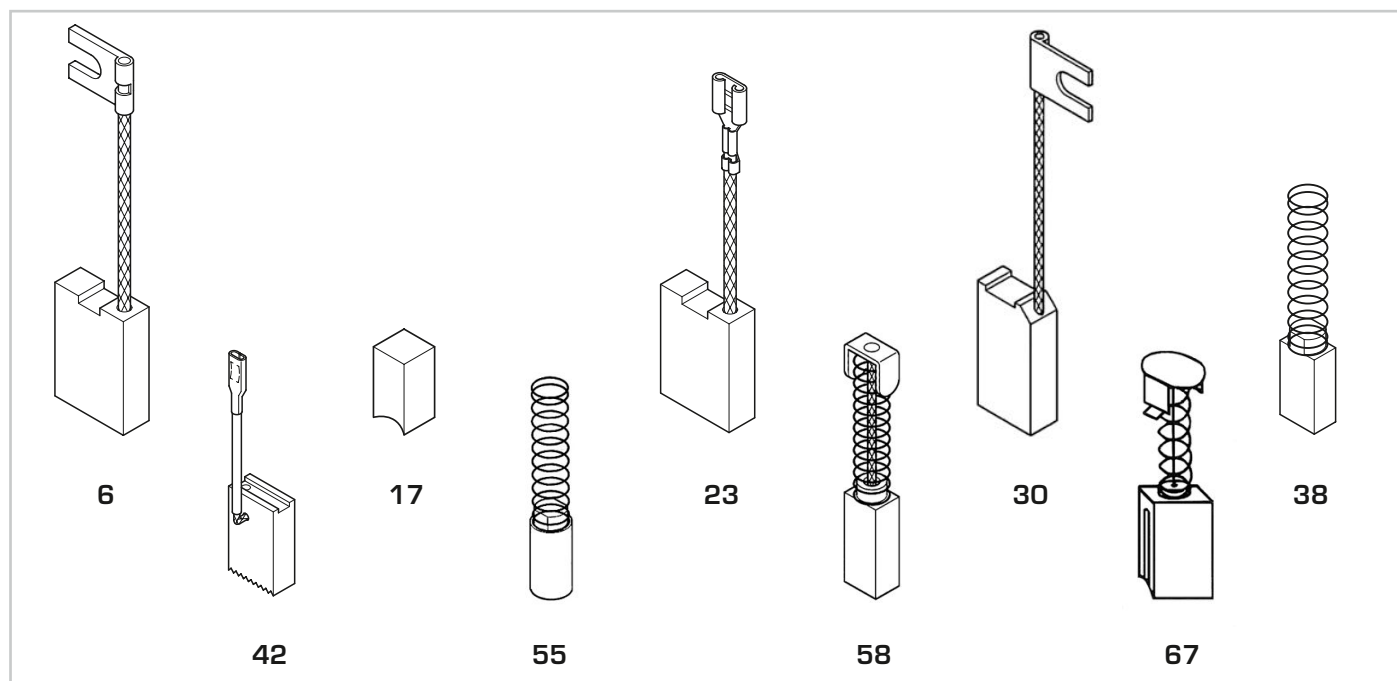
DELL'ERBA



# SPAZZOLE ADATTABILI PER UTENSILI

## ADAPTABLE BRUSHES FOR TOOLS

### STAYER



Articolo Art.	Dimensioni mm. Dimensions mm.	Impiego Use	Figura Figure
<b>1886</b>	6x6x13	SMERIGLIATRICI - LUCID. / MACHINES - POLISH. - LEV.Z1-Z207A/202/203-SA7/207 LAPPING - SD25-R0400/12/13	17
<b>1720</b>	6x6x15	TRAPANI / DRILLS - 380 - 381- 382 - 383 - 384 TC300 - 5001 - 7000 - 9000	38
<b>1723</b>	6x10x20	SMERIGLIATRICI - LAPPING MACHINES - Z10/3/5 - LU75/80 - LEV6	6
<b>1887</b>	6x14x22	SMERIGLIATRICI - LUCID. / MACHINES - POLISH. - LEV.Z20/15/25-B6/8-Z7/9-SA12/10	30
<b>1030</b>	6x14x22	SMERIGLIATRICI - LUCID. / MACHINES - POLISH. - LU170 - LU172 SC250 - SC251	6
<b>1719</b>	6.2x6.2x13	TRAPANI / DRILLS - 352/353	38
<b>1885</b>	ø 6.2x13	TRAPANI / DRILLS - TC4002-TM132V/10AP-370-336 - 362-364-339-365-113/13A TM34.SF/346/368/387/388/372/376/337	55
<b>2130</b>	6.35x8x12.5	SMERIGLIATRICE / LAPPING MACHINE - FH730	67
<b>2131</b>	6.5x8x15	SMERIGLIATRICE / LAPPING MACHINE - SA720	42
<b>1880</b>	9x12x20/25	SMERIGLIATRICI / LAPPING MACHINES - K6 - K8	58
<b>1882</b>	9x12x25/28	SMERIGLIATRICI / LAPPING MACHINES - SA/6/8	58
<b>1722</b>	9x14x22	SMERIGLIATRICI / LAPPING MACHINES - 208/209	6
<b>1031</b>	9x14x22	SMERIGLIATRICI / LAPPING MACHINES - 211 - 213 - SA16 - SA14 SA290 - SA293 - SA295 - SA297 - TU507	23

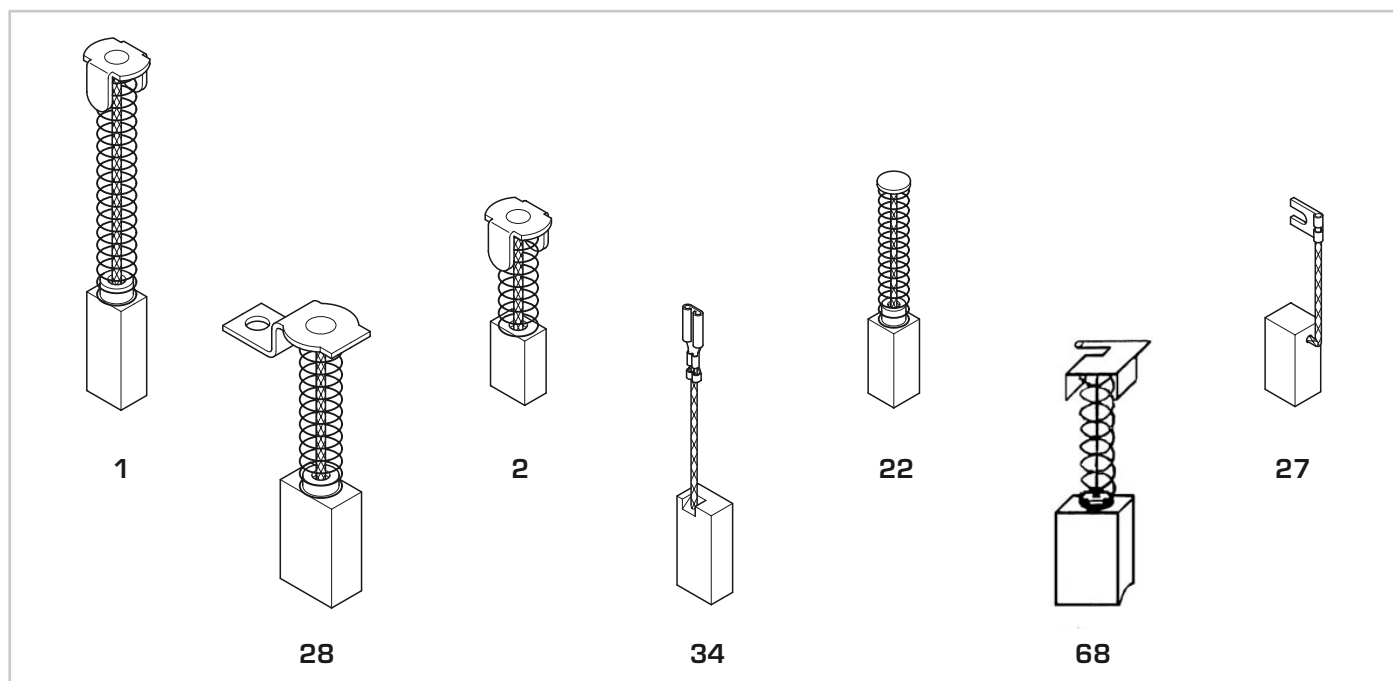
Confezioni in buste da 30-50 pezzi / Packs of 30-50 pcs.



# SPAZZOLE ADATTABILI PER UTENSILI

## ADAPTABLE BRUSHES FOR TOOLS

RUPES



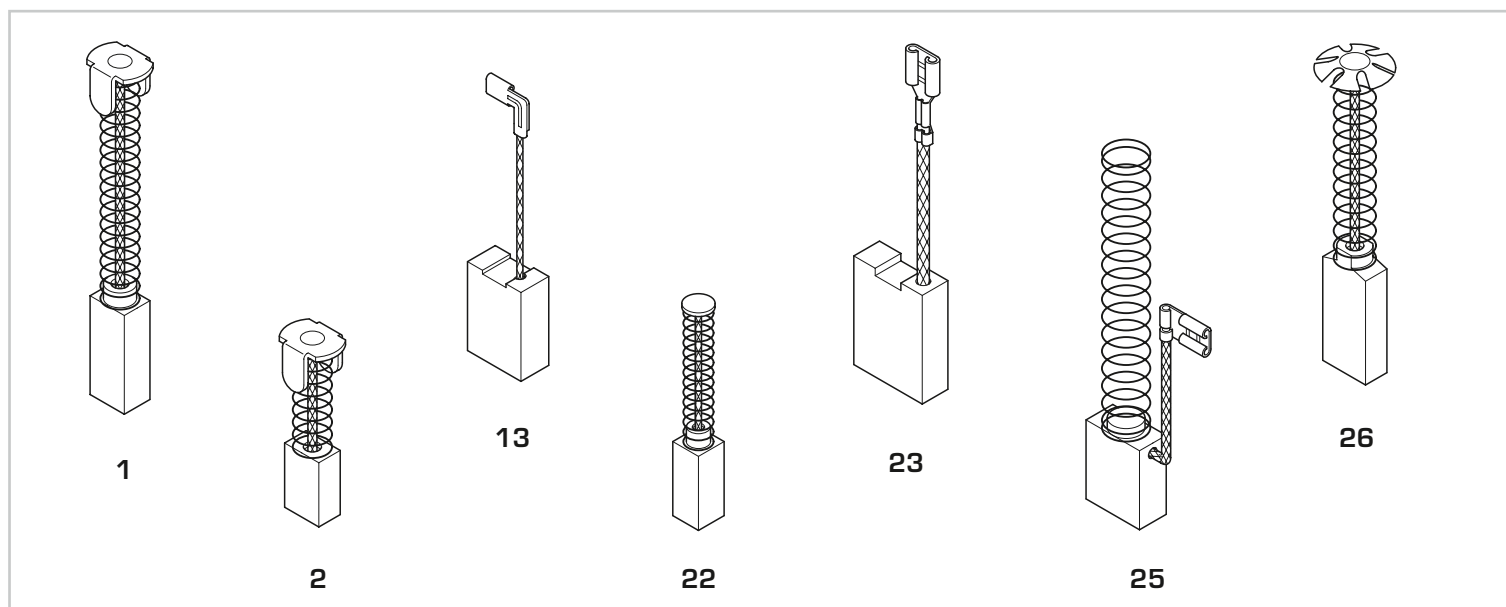
Articolo Art.	Dimensioni mm. Dimensions mm.	Impiego Use	Figura Figure
1710	6x6x16/10	TRAPANI A PERCUSSIONE / <b>PERCUSSION DRILLS</b> - PC15-TN6/8/10 LEVIG.ORBITALE / <b>ORBIT. SAND.</b> - LE7/7A S084/84A	1
1711	6x7x11/13	SMERIGLIATRICI - <b>LAPPING MACHINES</b> - AR30-BR9-TRAPANI PD30/2 NL13/16-TR10/13-TV10-PD13/13E	22
1040	6x7x12.5/11	AVVITATORE / <b>TORQUE WRENCH</b> - CE7R	1
1714	6x7x14	SMERIGLIATRICI / <b>LAPPING MACHINES</b> - AR34-AR10-AR5-BA15- BR5/3-BR3/3A	27
1041	6x8x13	SMERIGLIATRICI / <b>LAPPING MACHINES</b> - AR37-BA21	34
1715	6x8x15/17	LEVIGATRICI / <b>SANDERS</b> - SS70-SSPF-SSMN-SSCA RIFILATORE / <b>TRIMMER</b> - RP84	1
1716	6x8x20/22	LEVIGATRICE SUPER STORK / <b>SUPER STORK SANDER</b>	22
2141	6x9x20	LEVIGATRICE / <b>SANDER</b> - LH31	68
1846	6x9x21/23	LEVIGATRICE A DISCO / <b>DISC SANDER</b> - SM1- LDR23-LDR6-LT2-LAR3- LAR23-NL23-NL3-NL2 SMERIGLIATRICE / <b>LAPPING MACHINE</b> - LAR2-5-8-12	1
2143	6x9x21/23 Con autostacco with automatic disconnection	LEVIGATRICE A DISCO / <b>DISC SANDER</b> - SM1-LDR23-LDR6-LT2-LAR3- LAR23-NL23-NL3-NL2 SMERIGLIATRICE / <b>LAPPING MACHINES</b> - LAR2-5-8-12	1
2142	6.3x11.3x28.5	ASPIRATORE / <b>ASPIRATOR</b> - S80	2
1712	7x12x20/22	SMERIGLIATRICI / <b>LAPPING MACHINES</b> - GM6/8 - GD7 - GP6/8	28

Confezioni in buste da 30-50 pezzi / Packs of 30-50 pcs.

# SPAZZOLE ADATTABILI PER UTENSILI

## ADAPTABLE BRUSHES FOR TOOLS

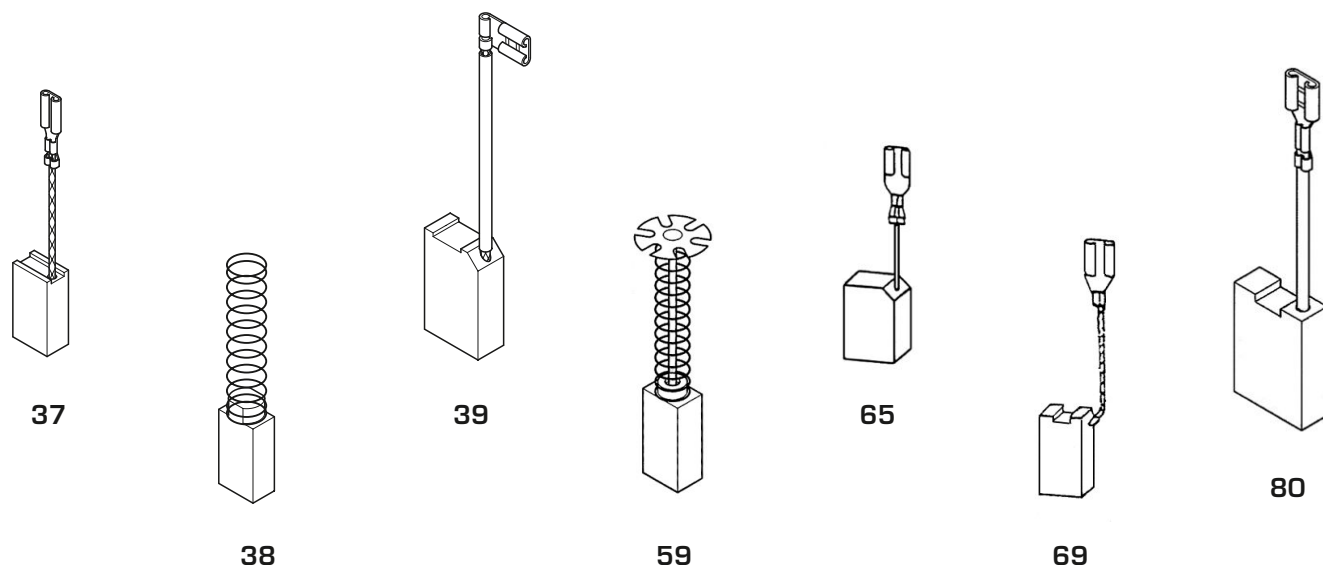
### AEG MILWAUKEE



Articolo Art.	Dimensioni mm. Dimensions mm.	Impiego Use	Figura Figure
<b>1745</b>	4x6x12/14	<b>SMERIGLIATRICI / LAPPING MACHINES</b> - WS330 - GS330	22
<b>2152</b>	5x8x14	<b>TRAPANI / DRILLS</b> - SBE15R - SBE18R - SBE520R - SB2.16N - SB2.600 - SB2E550 - SB2E600R - SB2E650R - SB2E650RL - SB2E680R - SB2E700 - SP2.16 / <b>MILWAUKEE</b> <b>MARTELLI / HAMMERS</b> - PN3000R2 - PN3000XN2 / <b>MILWAUKEE</b>	2
<b>1818</b>	5x8x14/16	<b>TRAPANI / DRILLS</b> - SB2004 - SB26 - BV26A - SB4.350 - SB1330	22
<b>1748</b>	5x8x15	<b>SMERIGLIATRICI / LAPPING MACHINES</b> - WS600/601 - SB2400	37
<b>1744</b>	5x8x15/17	<b>TRAPANI / DRILLS</b> - BWE6 - SB2.350 - SBE380 - BE8-B2E13 - SBA401 - SB2E501 - BE13RLD - PHE20 - RLN - SB216 - SB2E 13RL	38
<b>1746</b>	5x8x16	<b>SMERIGLIATRICI / LAPPING MACHINES</b> - WS480 - WS500/550	23
<b>1051</b>	5x8x16	<b>SMERIGLIATRICI / LAPPING MACHINES</b> - WS602 - WS710-115	37
<b>1050</b>	5x8x16.2/14.3	<b>TRAPANO / DRILL</b> - SB2 16H	1
<b>2153</b>	5x8x16.5 Con autostacco with automatic disconnection	<b>SMERIGLIATRICE ANGOLARE / ANGLE LAPPING MACHINE</b> AG805 125XE/115XE/125XC - 715 - 125X/115X/100/ <b>MILWAUKEE</b> <b>TRAPANO / DRILL</b> - SB22 / <b>MILWAUKEE</b>	69
<b>2155</b>	5x10x16 Con autostacco with automatic disconnection	<b>SMERIGLIATRICE ANGOLARE / ANGLE LAPPING MACHINE</b> WSE 1200C-WSE 1300-WS 1000-WSCE 1300-WSL 125XL-WSSCE1300 <b>TRAPANO / DRILL</b> - SB2E20R/22R - SB2E24RT - DKE 1300 <b>MARTELLI / HAMMERS</b> - PN3500-PN3500X-PN3000X2-PN3000SUPX2- PHE30RX - PHE3-PHE3X - PHE350RX2 - PHE26RX2 / <b>MILWAUKEE</b>	37
<b>1749</b>	5x10x16	<b>SMERIGLIATRICI / LAPPING MACHINES</b> - WS750/751	23
<b>1747</b>	5x10x17	<b>SMERIGLIATRICI / LAPPING MACHINES</b> - WS700	23

Confezioni in buste da 30-50 pezzi / Packs of 30-50 pcs.

## AEG MILWAUKEE



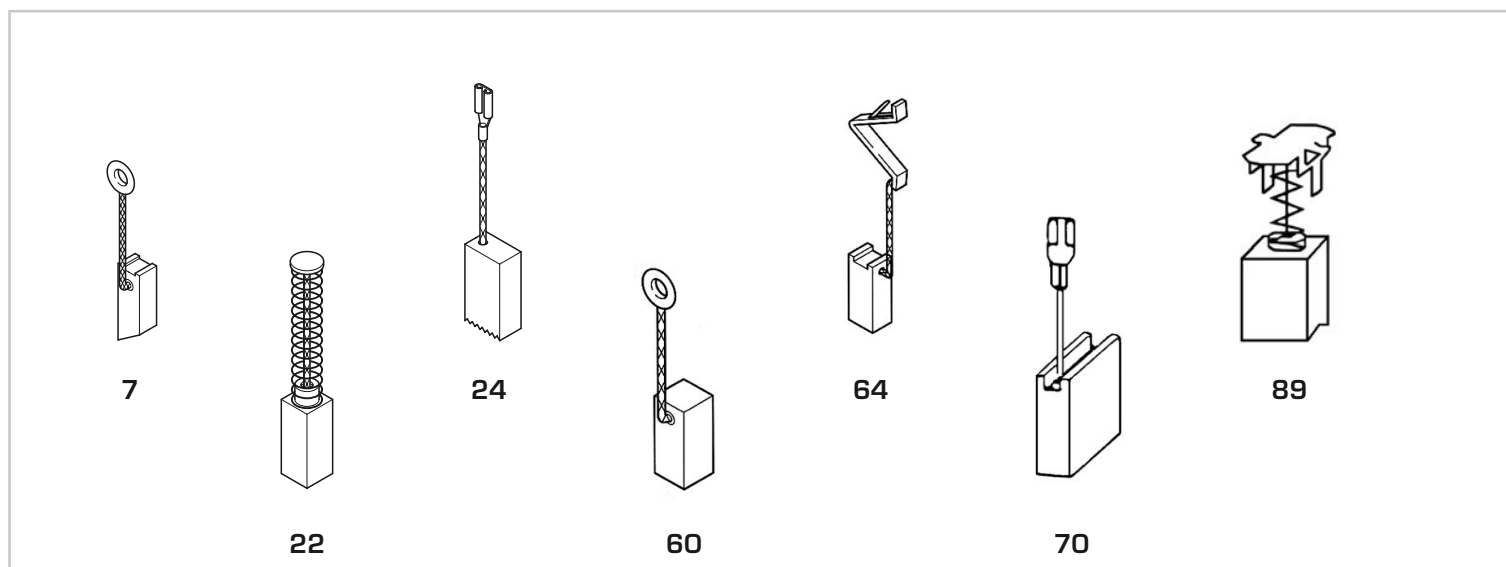
Articolo Art.	Dimensioni mm. Dimensions mm.	Impiego Use	Figura Figure
<b>1052</b>	5x10x18/15	TRAPANO / <i>DRILL</i> - B2E 13 RLD	1
<b>1053</b>	5x10x18/16.5	MARTELLO / <i>HAMMER</i> - PH38	1
<b>1771</b>	5x10x25/21	SMERIGLIATRICE / <i>LAPPING MACHINE</i> - WSA	26
<b>2151</b>	5.4x7x9	TRAPANO / <i>DRILL</i> - P18T.S14.4T.S12T.PES 12T. PES9.6.PAD12/ <b>MILWAUKEE</b> RODITRICE / <i>NIBBLING MACHINE</i> - PN 12PP/ <b>MILWAUKEE</b> SEGA A GATTOCCIO DIRITTA / <i>TURNING SAW</i> - PSX 18/ <b>MILWAUKEE</b>	1
<b>NOVITÀ</b> <b>2159</b>	5.9x11.1x17.5	MARTELLI / <i>HAMMERS</i> - PHF45SQ	65
<b>1752</b>	6x12.5x16/18	SEGHETTI / <i>SMALL SAWS</i> - HK50 - HK55 - HK75/CA	25
<b>1750</b>	6x12.5x21 Con autostacco with automatic disconnection	SMERIGLIATRICI / <i>LAPPING MACHINES</i> - WSA1400S - WS1400	23
<b>NOVITÀ</b> <b>2160</b>	6.3x8x11.5	TRAPANI / <i>DRILLS</i> - HDEI3RQD	22
<b>1055</b>	6.3x12.5x24/20 Con autostacco with automatic disconnection	TRAPANO / <i>DRILL</i> - B432	26
<b>2157</b>	6.4x10x16	SMERIGLIATRICE / <i>LAPPING MACHINE</i> - WS1201 LEVIGATRICE / <i>SANDER</i> - WP1900 - SA1201/1200 - WSE180	13
<b>1751</b>	6.5x12.5x20	SMERIGLIATRICI / <i>LAPPING MACHINES</i> - WSA1801 - WS1801 WSE2301 - WSAE2301	39
<b>2158</b>	8x14x20	SMERIGLIATRICE ANGOLARE / <i>ANGLE LAPPING MACHINE</i> WSA 2100 moderna - WSA 2300/ <b>MILWAUKEE</b>	80
<b>1810</b>	10x16x25/28	SMERIGLIATRICI / <i>LAPPING MACHINES</i> - WSA 1400 - 48 volt	59

Confezioni in buste da 30-50 pezzi / Packs of 30-50 pcs.

# SPAZZOLE ADATTABILI PER UTENSILI

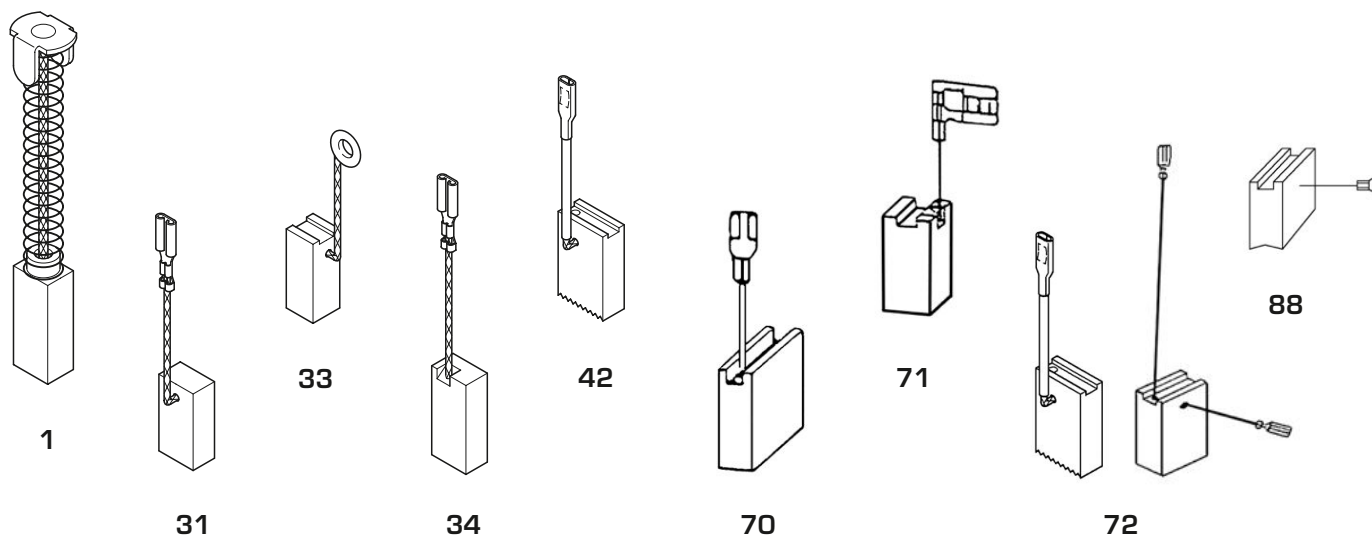
## ADAPTABLE BRUSHES FOR TOOLS

**BOSCH**



Articolo Art.	Dimensioni mm. Dimensions mm.	Impiego Use	Figura Figure
<b>1850</b>	4x5x12	<b>GIRAVITE / SCREW DRIVER</b> - EW/URJ54	64
<b>1871</b>	4.2x5x11	<b>TRAPANI SCINTILLA / SPARK DRILLS</b> - GEF/1-2-3	60
<b>1906</b>	4.3x4.8x15	<b>TRAPANI / DRILLS</b> - 1116 - 1109 <b>SMERIGLIATRICI / LAPPING MACHINES</b> - 203 - 1316	7
<b>2161</b>	5x8x9	<b>MARTELLI / HAMMER</b> - GAH500DS(1121.5) - GBH2S - GBH2SE(1126.5) GBH2SR(1226.8) - GBH2.20S - GBH2.20SE - GBH2.24DS(1228.0) GBH2.24DSE(1228.6) - GBH2.24DSR(1228.7)	70
<b>NOVITA NEW</b> <b>2174</b>	5x8x11	<b>AVVITATORI / SCREW DRIVERS</b> - GDR 9.6V- GDR12 V-GDR 14.4V GDR 18V - GDS 12V-GDS 14.4V - GSD 18V	89
<b>2162</b>	5x8x14.5	<b>TRAPANO / DRILL</b> - 1140.1 - GSB16.2 - GSB16RE - GSB18.2(1141) GSB18.2RE(1141.6) <b>TRAPANI / DRILLS</b> - 117 - PSB450R	22
<b>2163</b>	5x8x15	<b>MARTELLI / HAMMER</b> - DB 500 - GBH 2 SR(1226.7) - GBH 2/20 REA GBH 2/24 DSR(1218.7) PBH 20 RF UBH 2/20 RLE - UBH 2/20 SERL	22
<b>2164</b>	5x8x15.5	<b>SEGA CIRCOLARE / CIRCULAR SAW</b> - PKS40 - PKS46 <b>LEVIGATRICE / SANDER</b> - GSS230A - 230AE - 280A - 280AE GEX125A - AC - 150AC - PSS280 - 280A - GBH2SE(1226.6) - GBH2/22E <b>MARTELLI / HAMMER</b> - GBH2/24DS(1218.0) - GBH2/24DSE(1218.6) GBH2/24(1218.5) - GAH500DSE(1221.6) - GAH500DSR - 11215.5-10.6 - UBH2/14S - UBH2/14SE - UBH2/20S - UBH2/20SE(1210.6) <b>PIALLETTO / PLANE</b> - PHO 50-150-200 - GHA 500DSR <b>LEVIGATRICE A NASTRO/BELT SANDING MACHINE</b> - PBS 60 - PBS 60E PBS 75 - PBS 75E	22
<b>1066</b>	5x8x15.5	<b>SMERIGLIATRICE NUOVA / NEW LAPPING MACHINE</b> - GWS6-115	24
<b>1754</b>	5x8x16	<b>TRAPANI / DRILLS</b> - 1179 - 1180 - 1199 - 3149 - 3163 <b>SEGHETTI / SMALL SAWS</b> - PST65-54-52 - PBH2 - CSB850-800-700-650 620-550-PSB400-GSB18-20-GBHH2-24	22

Confezioni in buste da 30-50 pezzi / Packs of 30-50 pcs.



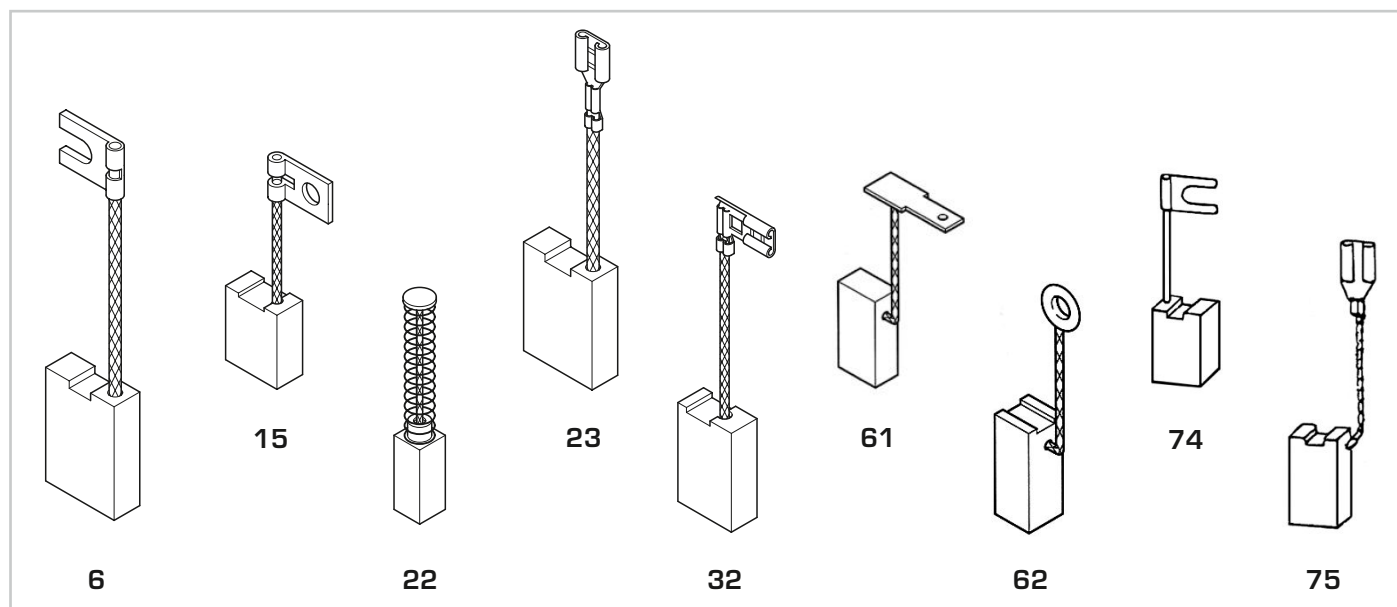
Articolo Art.	Dimensioni mm. Dimensions mm.	Impiego Use	Figura Figure
<b>1067</b>	5x8x17	<b>SMERIGLIATRICE ASSIALE / AXIAL LAPPING MACHINE</b> - GG27LC <b>SEGHETTO / SMALL SAW</b> - GST60PBAE <b>SMERIGLIATRICE ANGOLARE / ANGLE LAPPING MACHINE</b> - GWS850	31
<b>1755</b>	5x8x17/30 Con autostacco with automatic disconnection	<b>SMERIGLIATRICI / LAPPING MACHINES</b> - 1337 - 1338 - 1347 - 1348 GWS7-115 - GST60 P GST60 PAE GST85 - PWS710 - PWS6 - 115 PWS7 125-POF500	34
<b>2165</b>	5x8x19	<b>MARTELLO / HAMMER</b> - GBH 2.24 DFR	70
<b>2166</b>	5x10x17	<b>MARTELLO / HAMMER</b> - UBH4/26DS - GBH 4 DSC - GBH 4 DFE	71
<b>2167 (coppia) (brace)</b>	5x10x17	<b>MINI SMERIGLIATRICE / MINI LAPPING MACHINE</b> - GWS 10 - GWS 14 GWS 14 125/125C(1384.6/7/8/9) GWS 14 125 CS - GWS 14.150 (tutte) <b>SMERIGLIATRICE / LAPPING MACHINE</b> - GWS14 - 125CE - GWS14 - 150C <b>LEVIGATRICE / SANDER</b> - BR14C	72
<b>1068</b>	5x10x17 Con autostacco with automatic disconnection	<b>SMERIGLIATRICE / LAPPING MACHINE</b> - GWS7115-GWS9125 - GWS10-125	42
<b>2168 (coppia) (brace)</b>	5x10x17.5 Con autostacco with automatic disconnection	<b>MINI SMERIGLIATRICE / MINI LAPPING MACHINE</b> - GWS 14 125CE GWS 14 150C	72
<b>2169</b>	5x10x18 Con autostacco with automatic disconnection	<b>MINI SMERIGLIATRICE ANGOLARE / ANGLE MINI LAPPING MACHINE</b> 1701.9 - 170A GWS 9.125 - PWS10.125CE - PWS 13.125CE	88
<b>1757</b>	6x14x23/25	<b>CESOIA / SHEARING UNIT</b> - 1501 <b>RODITRICE / NIBBLING MACHINE</b> - 1525	1
<b>1905</b>	6.2x6.2x15	<b>TRAPANI / DRILLS</b> - 1106-1107-1108	33

Confezioni in buste da 30-50 pezzi / Packs of 30-50 pcs.

# SPAZZOLE ADATTABILI PER UTENSILI

## ADAPTABLE BRUSHES FOR TOOLS

**BOSCH**



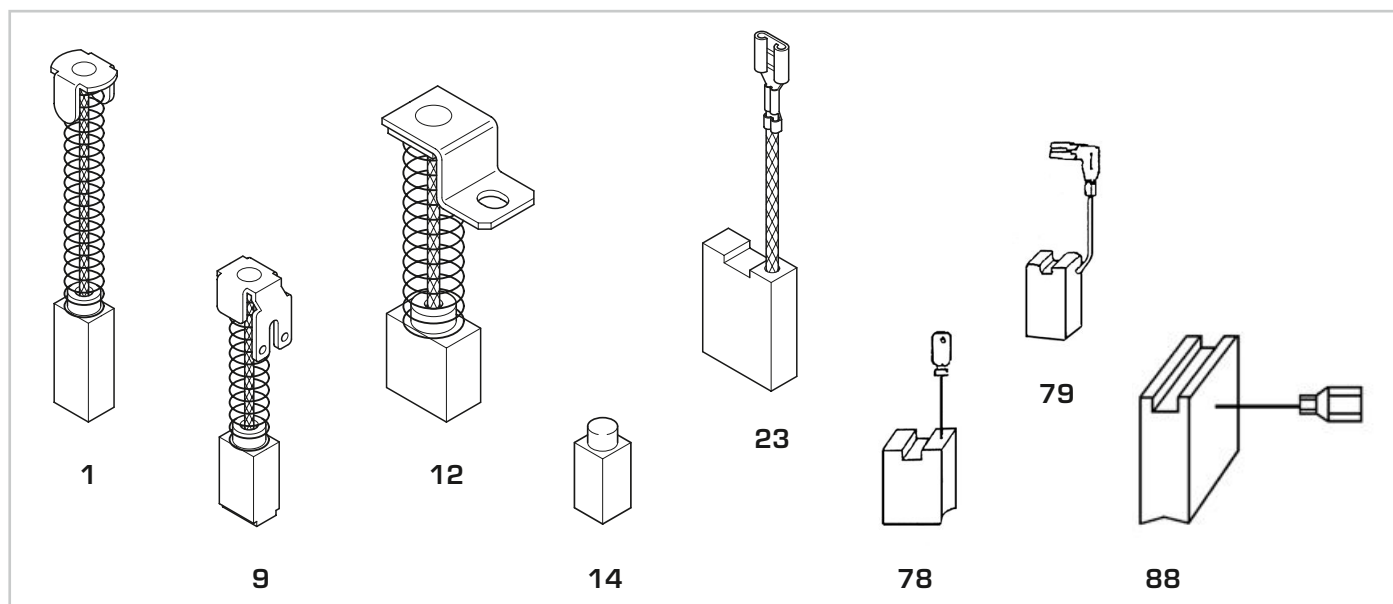
Articolo Art.	Dimensioni mm. Dimensions mm.	Impiego Use	Figura Figure
<b>1063</b>	6.2x12.5x22.5	<b>MARTELLINO / HAMMER</b> - GBH 5/40	32
<b>1064</b>	6.2x16x22 Con autostacco with automatic disconnection	<b>SMERIGLIATRICI / LAPPING MACHINES</b> - 1322 - 1332	6
<b>1065</b>	6.2x16x22 Con autostacco with automatic disconnection	<b>SMERIGLIATRICI / LAPPING MACHINES</b> - GWS19-180 - GWS21-180 GWS24-180 - GWS18-230 - GWS19-230 - GWS21-230 GWS24/230	23
<b>1904F</b>	6.2x16x22	<b>SMERIGLIATRICI / LAPPING MACHINES</b> - 1321 - 1322 - 1323	23
<b>1904</b>	6.2x16x22	<b>SMERIGLIATRICI / LAPPING MACHINES</b> - 1321 - 1322 - 1323	6
<b>1875</b>	6.3x6.3x15	<b>SEGHETTO SCINTILLA / SPARK SMALL SAWS</b>	61
<b>1060</b>	6.3x6.3x16.7/15.7	<b>TRAPANI / DRILLS</b> - CSB 300 - 350 - 400	22
<b>1759</b>	6.3x12.5x18 Con autostacco with automatic disconnection	<b>MARTELLI / HAMMERS</b> - 11002 - 11305 - 11203	15
<b>2170</b>	6.3x16x22.5	<b>MARTELLI / HAMMERS</b> - 11304.0 - USH27	74
<b>1069</b>	6.3x16x26	<b>MARTELLI / HAMMERS</b> - GBH10-GSH10	23
<b>2175</b>	6.3x16x23	<b>SMERIGLIATRICE ANGOLARE / ANGLE GRINDER</b> GWS 20-180H - GWS20-180JH - GWS20-230H - GWS20-230JH GWS21-180H - GWS21-180JH - GWS21-230H - GWS21-230JH GWS24-180B - GWS24-180H - GWS24-180JB - GWS24-230H GWS24-230JH - GWS24-230JB - GWS24-180JBX - GWS24-230JBX GWS26-180H - GWS26-230B - GWS26.230H - GWS26-230JH GWS26-230JB - PWS20-230 - PWS 1900 - PWS20-230J	23
<b>2171</b>	6.4x12.5x19	<b>MARTELLI / HAMMERS</b> - 1201 - 1201.8 - 1201.9 - 1302 - 11209.1 - 11214 - 11302 - 11305 - GBH7/45 - GBH7/45DE - GBH8DCE GBH8/65DCE - UBH10/50 - UBH12/50 - USH10	15
<b>1903</b>	6.5x8x15	<b>TRAPANI / DRILLS</b> - 1110 - 1111 - 1112 - 1113 - 1403 - 1461 - 1173	62
<b>1758</b>	6.5x10x17	<b>MARTELLINO / HAMMER</b> - 11205	6
<b>2172</b>	7x8x17	<b>MARTELLI / HAMMERS</b> - GBH 24 VRE 1.7AH - GBH 24 VRE 2.5AH - GBH 24 VRE 3.0AH	75
<b>2176</b>	7x8x18.5	<b>SEGHE CIRCOLARI / CIRCULAR SAWS</b> - GBB36V-LI <b>SEGHETTI / SMALL SAWS</b> - GBB36V-LI	23

Confezioni in buste da 30-50 pezzi / Packs of 30-50 pcs.

# SPAZZOLE ADATTABILI PER UTENSILI

## ADAPTABLE BRUSHES FOR TOOLS

**METABO**



Articolo Art.	Dimensioni mm. Dimensions mm.	Impiego Use	Figura Figure
<b>2191</b>	5x10x16 Con autostacco with automatic disconnection	MINI SMERIGLIATRICE / <i>MINI LAPPING MACHINE</i> - W7-115	88
<b>1762</b>	6x6x12.5	TRAPANO / <i>DRILL</i> - SB450	14
<b>2192</b>	6x16x20 Con autostacco with automatic disconnection	SMERIGLIATRICI / <i>LAPPING MACHINES</i> - W2030 WS2030/ 2530/2080 - W75	79
<b>2193</b>	6x16x22 Con autostacco with automatic disconnection	SMERIGLIATRICI ANGOLARE / <i>ANGLE LAPPING MACHINES</i> - Marathon W2080 - 81X - 2030 - 1X - 2280 - 81X - 2230 - 82XQuick 32XQuick - W75 - W75X	78
<b>2194</b>	6.35x8x15 Con autostacco with automatic disconnection	LEVIGATRICE A NASTRO / <i>BELT SANDING MACHINE</i> - 3360 - BAE0875 - BSO775 PIALLETTO / <i>PLANE</i> - HO 4380 SMERIGLIATRICE / <i>LAPPING MACHINE</i> - EW10.125 Quick	13
<b>2195</b>	6.4x8x16 Con autostacco with automatic disconnection	FRESATRICE / <i>SPINDLE MOULDER</i> - FME727 SEGHETTO ALTERNATIVO / <i>BACK SAW</i> - STEP700 MINI SMERIGLIATRICE / <i>MINI LAPPING MACHINE</i> - EW6114(001) EW7025S - EW7115S - EW7115SQuick - EW7116S Vari peel - EW7117Quick - EW7126S - EW7126SQuick - EWE7116S - EWE9024S EWE9123S - EWE9123SQuick - EWE9125S EWE9125SQuick - EW9126S - EW9127 Signal	79
<b>1761</b>	6.5x6.5x17	TRAPANO / <i>DRILL</i> - 75008	1
<b>1760</b>	6.3x8x15	TRAPANO / <i>DRILL</i> - SB600	9
<b>1766</b>	6.5x8x15	SMERIGLIATRICE / <i>LAPPING MACHINE</i> - 6162	23
<b>1769</b>	6.5x10x23	MARTELLO / <i>HAMMER</i> - 1130	1
<b>1768</b>	6.5x12.5x19	MARTELLO / <i>HAMMER</i> - 1129S	79
<b>1764</b>	8x14x14	SMERIGLIATRICE / <i>LAPPING MACHINE</i> - 612680	12
<b>2196</b>	10x5x16.5	SEGHE CIRCOLARI / <i>CIRCULAR SAWS</i> - W8-115 SEGHETTI / <i>SMALL SAWS</i> - W8-115 Quick	88

NOVITÀ  
NEW

Confezioni in buste da 30-50 pezzi / Packs of 30-50 pcs.

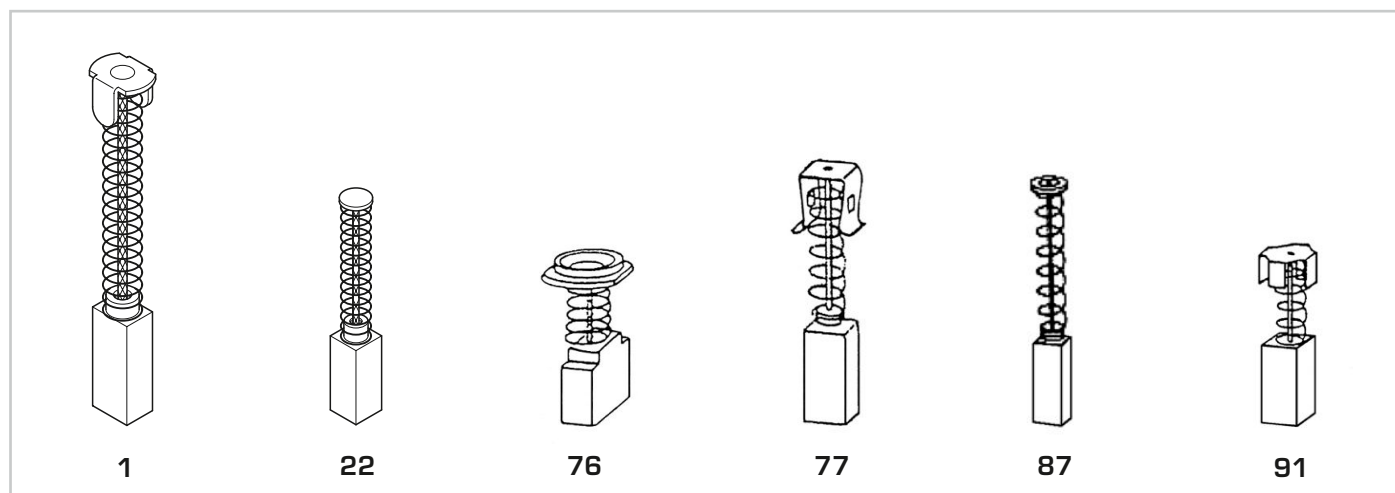
**DELL'ERBA**



# SPAZZOLE ADATTABILI PER UTENSILI

## ADAPTABLE BRUSHES FOR TOOLS


**MAKITA**



Articolo Art.	Dimensioni mm. Dimensions mm.	Impiego Use	Figura Figure
<b>1734</b>	5x5x6/7	<b>SMERIGLIATRICE / LAPPING MACHINE</b> - 903	22
<b>1732</b>	5x8x9/14	<b>TRAPANO / DRILL</b> - BA3000 <b>SEGHETTI / SMALL SAWS</b> - G1600 - LS1600 - JN1600	1
<b>1733</b>	5x8x10/12	<b>TRAPANI / DRILLS</b> - 8410D - 8410BV	1
<b>1731</b>	5x8x13	<b>TRAPANI / DRILLS</b> - 6300/4 - 8419/B-9045	2
<b>2181</b>	5x11x16.5	<b>MARTELLI / HAMMERS</b> - HM1100 - HM1100C/CS HM1100S - HM1130 - HR3000C - HR4000C	76
<b>2182</b>	5x11x16.5	<b>TRAPANO / DRILL</b> - DA4000LR <b>SEGA CIRCOLARE / CIRCULAR SAW</b> - 5017RKB - 5603R - 5604R 5703R - 5704R - 5705R <b>SMERIGLIATRICI / LAPPING MACHINES</b> - 9015B - 9016B <b>LEVIGATRICI / SANDERS</b> - 9227CB - 9403 - 9404 - 9903 - 9920 <b>SEGA A GATTOCCIO DRITTA / TURNING MOULDER BLOWER</b> GV7000C - PV7000C <b>FRESATRICE / SPINDLE MOULDER</b> - UC3501A - UC4001A <b>SOFFIATRICE / BLOWER</b> - RP0910C - RP1110C - UB1101	76
<b>2183</b>	6x9x11	<b>TAGLIASIEPE / HEDGE CUTTER</b> - UH4850 - UH5550 - UH6350 <b>MINI SMERIGLIATRICE / MINI LAPPING MACHINE</b> - 910 - N910 <b>TRAPANO A PERCUSSIONE / PERCUSSION DRILL</b> - 8450K - 8451K HP1500 - HP1501/K - HP2030 - HP2031 - HP2033 - HP2040 HP2041 - HP2042 - HP2051 - H2051F <b>TRAPANI / DRILLS</b> - 800 - N800 - 6310 - 6408 - 6410 - DP3002 DP4000 - DP4002 <b>MARTELLI / HAMMERS</b> - HR2410 - HR2020 - HR2431 - HR2440 HR2440F - HR2450 - HR2450F - N4304 - N4305 - 4304 - 4304T - 4305 <b>SEGHETTO ALTERNATIVO/ HACK SAW</b> - 4305T - 4340T - 4340CT 4340FCT - 4341CT - 4341FCT <b>AVVITATORI / TORQUE MACHINES</b> - 6807 - 6821 - 6823 - 6824 - 6825 - 6826 - 6827 <b>LEVIGATRICE ORBITALE / ORBITAL SANDER</b> - 9046 - B04900V - B04901 - B05000 - B05001	77

Confezioni in buste da 30-50 pezzi / Packs of 30-50 pcs.



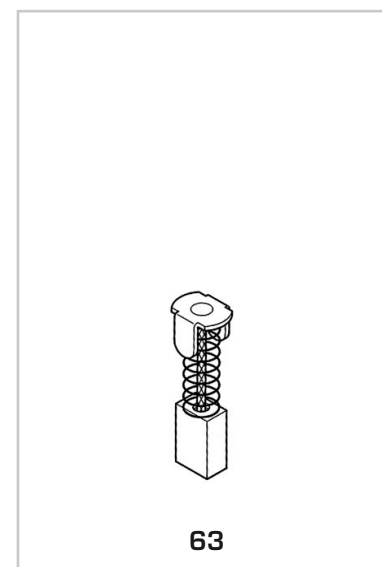
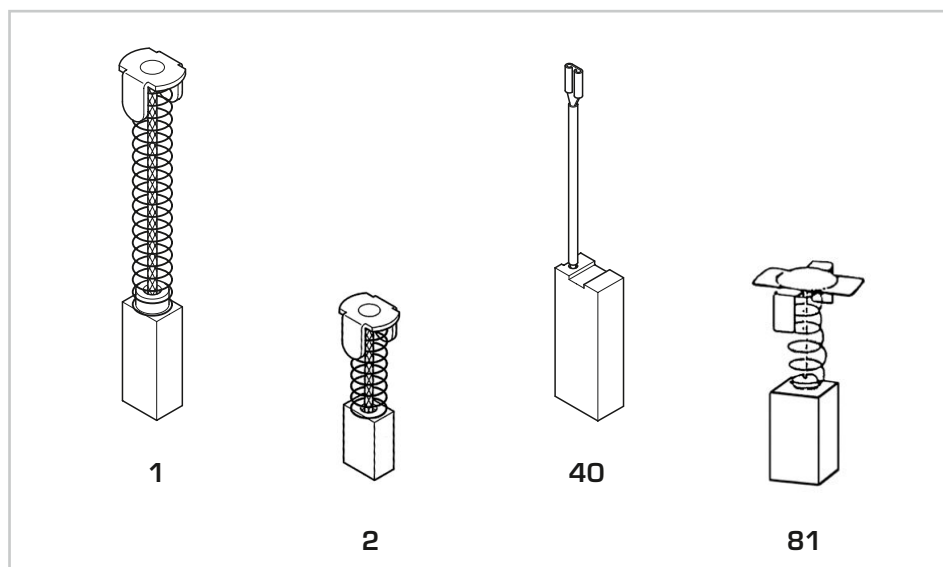
Articolo Art.	Dimensioni mm. Dimensions mm.	Impiego Use	Figura Figure
<b>2184</b>	6x9x12	<b>SMERIGLIATRICE ANGOLARE / ANGLE LAPPING MACHINE</b> - 9031 <b>MINI SMERIGLIATRICE / MINI LAPPING MACHINE</b> - 9501BM - 9505BM 9520NB - 9521NB - 9522NB - 9524NB - 9525NB - 9527 - 9527NB - 9527NBK - 9528 - 9528NB - N9500N <b>MARTELLI / HAMMERS</b> - N9501B - N9501BH - N9503BH <b>SEGA CIRCOLARE / CIRCULAR SAW</b> - 500 - N500 <b>RODITRICE / NIBBLING MACHINE</b> - JN1601 <b>AVVITATORE AD IMPULSI / IMPACT WRENCH</b> - 6950 <b>LEVIGATRICE A NASTRO / BELT SANDER MACHINE</b> - 9011 - 9031 - 9910 - 9911 - 9032 <b>AVVITATORE / TORQUE MACHINE</b> - 6830 - 6832 - 6833 - 6834 - 6951 <b>FRESATRICI / SPINDLE MOULDERS</b> - 3703 - 3704 - 3707 - 3707F - 3707FC - 3901 - 4402	87
<b>1960</b>	6x10x15/19	<b>MARTELLI / HAMMERS</b> - HR2210 - 8035NB	1
<b>1737</b>	6x10x16/15	<b>LEVIGATRICI / SANDERS</b> - 9900 - 9900B - 9218SB - 9218PB <b>PIALLE / PLANERS</b> - 1001 - 1100 <b>SMERIGLIATRICI / LAPPING MACHINES</b> - 9005B - 9006B <b>SEGHETTO / SMALL SAW</b> - 4200N	2
<b>1072</b>	6x10x16/15	<b>PIALLE / PLANERS</b> - 1911B - 3608B <b>TRAPANI A PERCUSSIONE / PERCUSSION DRILLS</b> - HP2010 - HP2010N - HP2000	91
<b>2185</b>	6.5x13.5x16 Con autostacco with automatic disconnection	<b>MARTELLI / HAMMERS</b> - HM1200 - HM1200B - HM1200K - HM1201 - HM1202C - HM1300 - HM1300K - HM1301 - HM1400 - HM1400K - HR3600B - HR3850 - HR3850B - HR3850K - HR4500C - HR5000 - HR5000K - HR5001C - HR6000K <b>TRAPANO / DRILL</b> - 5100DR - 5103 - 5201 - 5401 - 5402 - 5500S - 5700 - 5800 - 5900B - 5900DR - 7104L - 7305H - 7605L - 8900 <b>SMERIGLIATRICE ANGOLARE / ANGLE LAPPING MACHINE</b> - 9400B - 9401 - 9402 - 9607B <b>SEGA A CATENA / CHAIN SAW</b> - 5011NB - 5014NB - 5016NB	1
<b>1740</b>	6.5x13.5x16	<b>PIALLA / PLANER</b> - 1805 <b>LEVIGATRICI / SANDERS</b> - 2400 - 2412N - 2414 - 2415 <b>SMERIGLIATRICI / LAPPING MACHINES</b> - 9609NB - 9401 - 9607 - 9400B 9067B - 9609B - 9606NB - 9607NB - 9607HB - 9609HB <b>CESIOIE / SEHARS</b> - 2412N - 2414 <b>SEGHETTO / SMALL SAW</b> - 5012B <b>DEMOLITORI / DEMOLITION HAMMERS</b> - HM1500 - 1400 - 1800	2
 <b>2187</b>	7x11x16.5	<b>SEGHE CIRCOLARI / CIRCULAR SAWS</b> - GA5021C <b>MOLATRICI / GRINDER</b> - GA6021C	22
<b>2186</b>	7x18x16	<b>SMERIGLIATRICE ANGOLARE / ANGLE LAPPING MACHINE</b> - 9027 - 9027F 9027S - 9027SF - 9029 - 9029F - 9029SF - 9037F - 9037SF - 9039 - 9039F - 9039S - 9039SF - 9047/F - 9049 - 9049SF - 9059 - 9059SF - 9629S - N9047SF - N9057SF - 9067 - 9069 - 9077SF - 9079SF <b>FRESATRICE / SPINDLE MOULDER</b> - 3612 - 3612C <b>TRONCATRICE A DISCO / DISC CUTOFF SAW</b> - 2414B - 2414NB - LC1230 <b>MARTELLI / HAMMERS</b> - HM1303 - HM1303B - HM1500 - HM1500B - HM1800 <b>SEGA CIRCOLARE / CIRCULAR SAW</b> - 5103 - 5103R - 5143R - 5903R	1

# SPAZZOLE ADATTABILI PER UTENSILI

## ADAPTABLE BRUSHES FOR TOOLS

### RYOBI - MILWAUKEE

### RIDGID



Articolo Art.	Dimensioni mm. Dimensions mm.	Impiego Use	Figura Figure
2105	5x8x10	MOLA / GRINDING WHEEL - G.S. 115	2
2108	5x10x10	TRAPANO / DRILL - 1920	2
2111	6x8x13	SMERIGLIATRICE ANGOLARE / ANGLE LAPPING MACHINE G600- G1001A - G1251A - G1005 - G1151A - G1155A	40
2112	6.4x13.4x17	TRONCATRICE / CUTOFF SAW - TSC306 - C3560 - C307NA - C356NA C357 - CS360 SEGA CIRCOLARE / CIRCULAR SAW - RA200N - RA2500A - W6402NC W8402NC MARTELLI / HAMMERS - CH481 - ED381 - ED382ND	1
2113	7x11x18	MARTELLI / HAMMERS - CH450PK - CH465 - CH460 - CH485K - ED350 SMERIGLIATRICE ANGOLARE / ANGLE LAPPING MACHINE - G1255	1
2114	7x11x18 Con autostacco with automatic disconnection	MARTELLI / HAMMERS - CH450PK - CH465 - CH460 - CH485K - ED350 SMERIGLIATRICE ANGOLARE / ANGLE LAPPING MACHINE - G1255 / MILWAUKEE	1
2115	7x17x17	SMERIGLIATRICE / LAPPING MACHINE - SG2320	81

### RIDGID

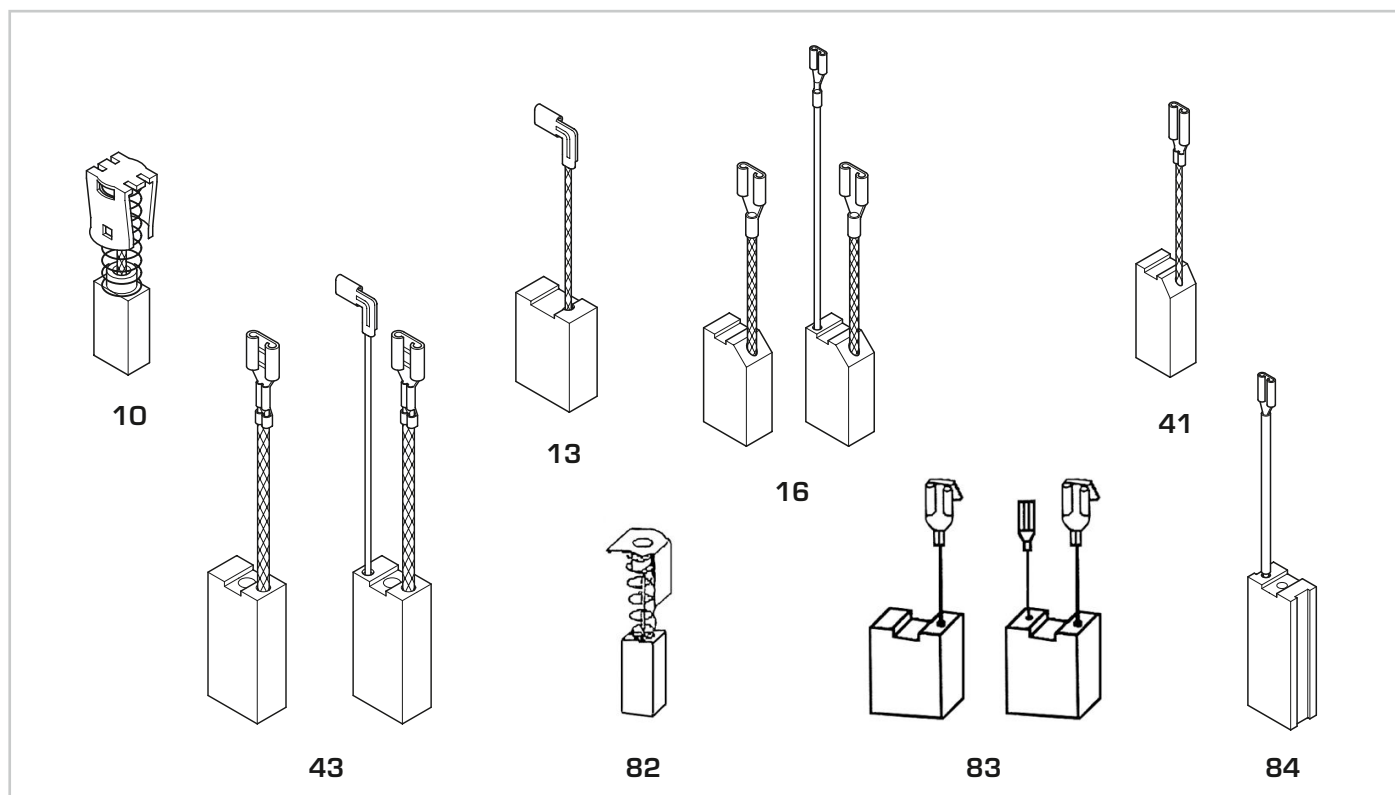
Articolo Art.	Dimensioni mm. Dimensions mm.	Impiego Use	Figura Figure
1950	8.7x19x25	FILETTATRICE / THREADER	63

Confezioni in buste da 30-50 pezzi / Packs of 30-50 pcs.

# SPAZZOLE ADATTABILI PER UTENSILI

## ADAPTABLE BRUSHES FOR TOOLS

HILTI



Articolo Art.	Dimensioni mm. Dimensions mm.	Impiego Use	Figura Figure
<b>2201</b>	5x8x12 Con autostacco with automatic disconnection	MARTELLI / HAMMERS - TE5 - T8 - T10 - TE10	10
<b>1091</b>	5x8x18/15 Con autostacco with automatic disconnection	MARTELLO / HAMMER - T18	10
<b>1093</b>	6.3x8x19 Con autostacco with automatic disconnection	MARTELLO / HAMMER - TE12	41
<b>1095 (coppia) (brace)</b>	6.3x10x19 Con autostacco with automatic disconnection	MARTELLO / HAMMER - TE54	16
<b>1092</b>	6.3x10x26	MARTELLI / HAMMERS - TP400-TE52-TE42	84
<b>1096</b>	6.3x12.5x19	MARTELLO / HAMMER - TP804	13
<b>2202</b>	6.3x12.5x19 Con autostacco with automatic disconnection	MARTELLO / HAMMER - TE72	82
<b>2203 (coppia) (brace)</b>	6.3x16x22 Con autostacco with automatic disconnection	TRAPANO / DRILL - DD160E	83
<b>1097 (coppia) (brace)</b>	7x12.5x26 Con autostacco with automatic disconnection	MARTELLO / HAMMER - TE74	43

Confezioni in buste da 30-50 pezzi / Packs of 30-50 pcs.

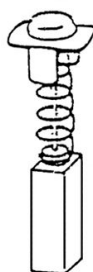
DELL'ERBA



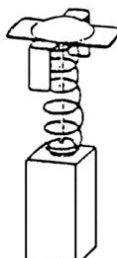
# SPAZZOLE ADATTABILI PER UTENSILI

## ADAPTABLE BRUSHES FOR TOOLS

### HITACHI - DIAMOND



85



86



87

Articolo Art.	Dimensioni mm. Dimensions mm.	Impiego Use	Figura Figure
2226	6.5x7.5x13	<p><b>HITACHI:</b>            AVVITATORE AD IMPULSI / <i>IMPACT WRENCH</i> - W4YE - W4YF - WH12 - WH14 - WH16            CESCOIA / <i>SHEARING UNIT</i> - CB10VA - CE16 - CN16            SEGNETTO ALTERNATIVO / <i>HACK SAW</i> - CJ60/60V/60T - CJ65/65SI /65V/65VA/65VB/65VE/65VAI            PIALLETTO ELETTRICO / <i>ELETTRIC PLANE</i> - F20A - PDA100D - P20SB            MINI SMERIGLIATRICE / <i>MINI LAPPING MACHINE</i> - CP2 - CP12B/S1/SA/YB1 - FG12SA2 - G10D1/SB1/SF/SG/SK/SP/SR - G12S1/SA/SG/SR - G13SA/SB/SG/YB/YB1            LEVIGATRICE / <i>SANDER</i> - SO110/SOD110 - SP13            FRESATRICE / <i>SPINDLE MOULDER</i> - TR6/A/1APLUS - M6SA/SB            LEVIGATRICE ORBITALE / <i>ORBITAL SANDER</i> - LDV4 - SV12 - VR16/VRV16 - SAY150A            TRAPANO / <i>DRILL</i> - D10YA            MARTELLI / <i>HAMMERS</i> - DH20V/22V/22VA/25V            TAGLIASIEPE / <i>EDGE CUTTER</i> - FG10SA - FG12A2            SMERIGLIATRICE ANGOLARE / <i>ANGLE LAPPING MACHINE</i> - GP2 - GP2SA            SOFFIATRICE / <i>BLOWER</i> - PB20</p>	87
2221	7x11x17	<p><b>HITACHI-DIAMOND:</b>            AVVITATORE AD IMPULSI / <i>IMPACT WRENCH</i> - WH22            SEGA A GATTOCCIO DRITTA / <i>TURNING SAW</i> - CR10V - CR12V - CR17Y            SEGA CIRCOLARE / <i>CIRCULAR SAW</i> - C6/6U - C7/7U/7SC/75C/75D            CB10V/12V/17Y - CB8B/8C/8S - CBC6 - CBSC - CM4SA2 - CM6 - F8FC/FS - FC6SA/7SA            PIALLETTO ELETTRICO / <i>ELETTRIC PLANE</i> - F30A/AT - P30 - PDH125 - PH40 - PR25B/38E - PSU6 - PUPM3            ASPIRAPOLVERE / <i>ASPIRATOR</i> - NUPSR3 - NUSR - NUSR5            LEVIGATRICE A NASTRO / <i>BELT SANDER</i> - S15 - SB8T - SB10T - SB10V/75 - SP18/18T/18V            MINI SMERIGLIATRICE / <i>MINI LAPPING MACHINE</i> - G13SC - G15SA            LEVIGATRICE / <i>SANDER</i> - SAT180 - SAT182            TRAPANI / <i>DRILLS</i> - D13 - D13SA - D13Y - DC120V - VR38 - VTP16A - VTV16            MARTELLI / <i>HAMMERS</i> - BM25Y - BM50/50SA - BUPN3 - DH28Y - DH38YA/YB/YB1/YF - DH40FA/MA/SA/YB - DH42 - DMT16 - DMT16N - DMR13 - DMV16 - H41 - H45SA - H50 - H50SA            TRONCATRICI / <i>CUSTOFF SAWS</i> - C8FA - C8FB - C8FC - C8FS</p>	85

## HITACHI - DIAMOND

Articolo Art.	Dimensioni mm. Dimensions mm.	Impiego Use	Figura Figure
2227	7x13x17	<b>HITACHI:</b> <b>PIALLETTO ELETTRICO / ELETTRIC PLANE</b> - P20SD/P40/P50 - P50K - P50SA - PG21SA <b>LEVIGATRICE A NASTRO / BELT SANDER</b> - SB110 <b>FRESATRICE / SPINDLE MOULDER</b> - MB12SB - TR12 <b>SMERIGLIATRICI / LAPPING MACHINES</b> - G18DF - G18SC - G18SD - G23SA/SB - GP13 <b>SEGA A CATENA / CHAIN SAW</b> - C6SA - C7BD - C7SB - C10FB - C75B - C12 - C13 - CC12SA/14SA - CS28B - CS280A - CS35B - CS350A <b>SEGA CIRCOLARE / CIRCULAR SAW</b> - C8 - C8U - C8V - C9U - PSM7 <b>LEVIGATRICE / SANDER</b> - SAH180 - SR15 <b>MARTELLI / HAMMERS</b> - BLU4 - DH50SA - DH50SA1 - DH50SB - DH55 - DUPN2 - H55A/SC <b>CESIOIA / SHEARING UNIT</b> - CN45SA <b>RODITRICE / NIBBLING MACHINE</b> - CN60SA <b>TRONCATRICE / CUTOFF SAW</b> - HU12 - HU14	85
2228	7x17x17	<b>HITACHI:</b> <b>SEGA CIRCOLARE / CIRCULAR SAW</b> - PSM8/9 - PSU7/8/9/13/14 - C13U - CM12Y <b>PIALLETTO ELETTRICO / ELETTRIC PLANE</b> - P12R/A - P100F/PDH180C - PH65A - PS15A <b>SMERIGLIATRICI / LAPPING MACHINES</b> - G18SE/SE2/SG/SH/SF/U/UA/UB - G23SC/SC2/SD/SE/SF/U/UA/UB - GS23V - GS23VA - GS23VB - GS231/2 - GS23SD - GS23SE - GS23SF - S23U/USA/UB/SG/SH <b>FRESATRICE / SPINDLE MOULDER</b> - M12SA/V <b>MARTELLI / HAMMERS</b> - H65SA - H90SA - BM25 - H65SB - H90SB - H90SC - DH50MB - C10FA/15FB/CB75/CB75F/YC14 <b>SEGHETTO ALTERNATIVO / HACK SAW</b> - 2+SA - CD12F/C13SA-FCJ55V - H85 - F1000A <b>TAGLIASIEPE / HEDGE CUTTER</b> - CC12/Y - CC14 - CC16SA <b>TRONCATRICE / CUTOFF SAW</b> - C12FA	86
2222	7x17x17	<b>HITACHI-DIAMOND:</b> <b>SEGA CIRCOLARE / CIRCULAR SAW</b> - PSM8/9 - PSU7/8/9/13/14 - C13U - CM12Y <b>PIALLETTO ELETTRICO / ELETTRIC PLANE</b> - P12R/A - P100F/PDH180C - PH65A - PS15A <b>SMERIGLIATRICI / LAPPING MACHINES</b> - G18SE/SE2/SG/SH/SF/U/UA/UB - G23SC/SC2/SD/SE/SF/U/UA/UB - GS23V - GS23VA - GS23VB - GS231/2 - GS23SD - GS23SE - GS23SF - S23U/USA/UB/SG/SH <b>FRESATRICE / SPINDLE MOULDER</b> - M12SA/V <b>MARTELLO / HAMMER</b> - H65SA - H90SA - BM25 - H65SB - H90SB - H90SC - DH50MB - C10FA/15FB/CB75/CB75F/YC14 <b>SEGHETTO ALTERNATIVO / HACK SAW</b> - 2+SA - CD12F/C13SA-FCJ55V - H85 - F1000A <b>TAGLIASIEPE / HEDGE CUTTER</b> - CC12/Y - CC14 - CC16SA <b>TRONCATRICE / CUTOFF SAW</b> - C12FA	86

Confezioni in buste da 30-50 pezzi / Packs of 30-50 pcs.

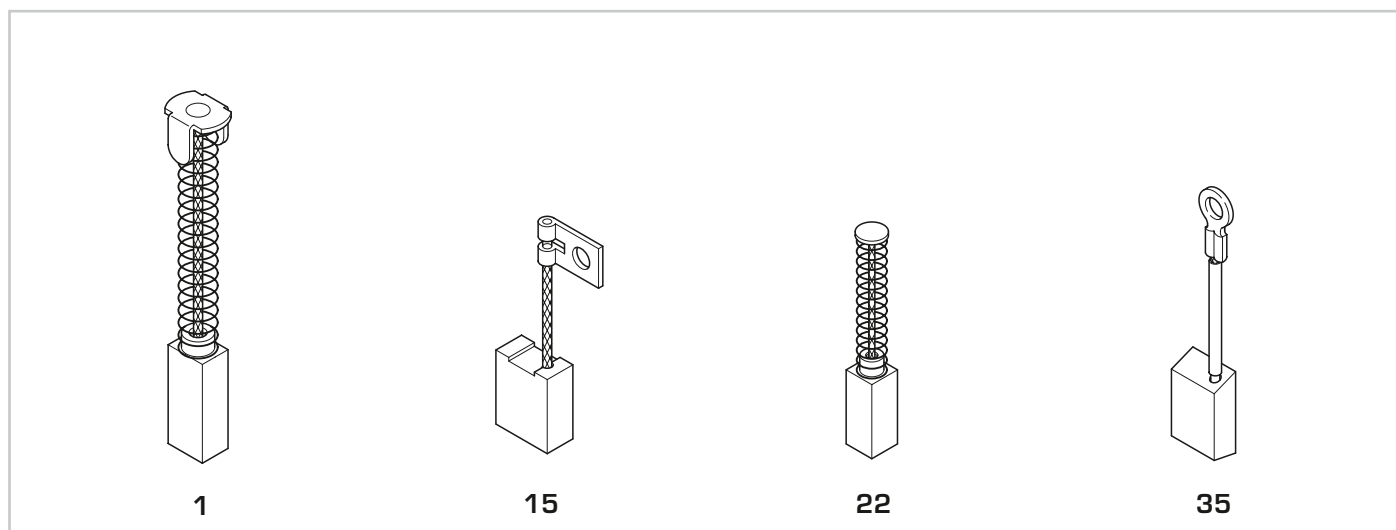
**DELL'ERBA**



# SPAZZOLE ADATTABILI PER UTENSILI

## ADAPTABLE BRUSHES FOR TOOLS

**KANGO**



Articolo Art.	Dimensioni mm. Dimensions mm.	Impiego Use	Figura Figure
<b>1962</b>	5x10x16	MARTELLA / HAMMER - 637	35
<b>1952</b>	6.2x9.4x20	MARTELLI / HAMMERS - 900 - 950	1
<b>2211</b>	6.3x20x25	MARTELLA / HAMMER - 2500	15
<b>2212</b>	6.35x9.52x21	MARTELLI / HAMMERS - 900KV - 900MV - 950KV	22

Confezioni in buste da **30-50 pezzi** / Packs of 30-50pcs.

# PIETRA POMICE

## PUMICE STONE



**Per pulizia ed adattamento spazzole sui collettori.**  
For cleaning and adapting the brushes on the manifolds.

Articolo Art.	Dimensioni mm. Dimensions mm.
<b>SPP.20</b>	90x62x56

# ASSORTIMENTO SPAZZOLE UTENSILI

## BRUSH KIT

Art. **AUS.35**



**Assortimento di n.35 tipi di spazzole nelle quantità di n.8 pezzi per tipo.**

*Assortment of 35 types of brushes 8 pieces per type.*

**Dimensioni:**

Lunghezza: mm 270.

Larghezza: mm 460.

Altezza: mm 60.

**Dimensions:**

Length: mm 270.

Width: mm 460.

Height: mm 60.

**Adattabili**

*Adaptable*

B&D

FELISATTI

RUPES

AEG

BOSCH

MAKITA

STAYER

# STECCA DI GOMMA POMICE

## PUMICE RUBBER BAR



**Articolo**  
Art.

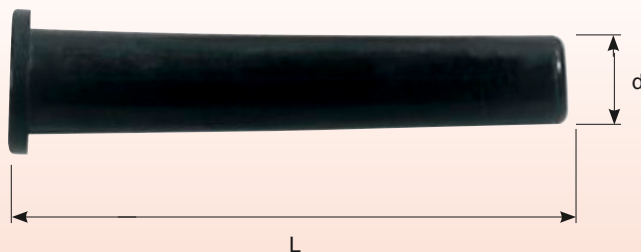
**SGP.16**

**Dimensioni mm.**  
*Dimensions mm.*

16x28x120

# PASSACAVI ORIGINALI PER ELETTROUTENSILI

## ORIGINAL FAIRLEADS FOR POWER TOOLS



IN ESAURIMENTO / RUNNING OUT

Articolo Art.	Dimensioni mm. / Dimensions mm.	
	d diam. interno d internal diam.	L - Lunghezza mm. L - Length mm.
MN.779	8.5	56
MN.781	7.5	63.5

**RUPES**

MN.3271	9	64
MN.3272	10	110

**AEG**

MN.410	9	67
MN.411	9	68
MN.412	11	98
MN.413	10	82

**Metabo**

MN.520	9	82
MN.521	11	139

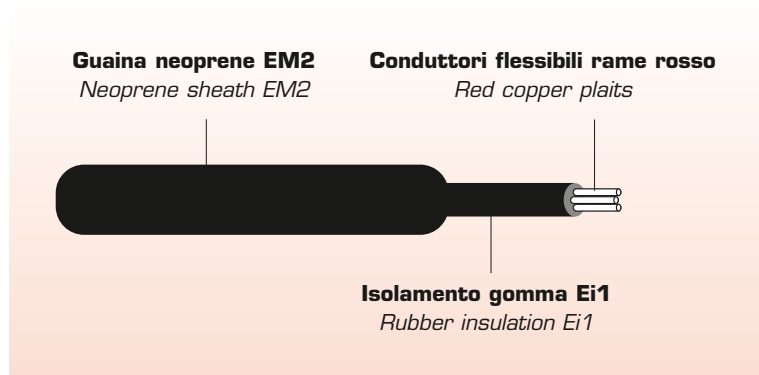
**BOSCH**

MN.610	7.3	67
MN.611	8.2	83
MN.612	11.3	99
MN.613	7.9	120
MN.614	10	95



# CAVO MULTIUSO IN NEOPRENE NERO TITANEX® HO7RNF

**BLACK NEOPRENE MULTIPURPOSE CABLE TITANEX® HO7RNF **



## CARATTERISTICHE TECNICHE

**Impiego:** cavo flessibile per utensili elettrici e cantieristica

**Tensione nominale:** 450/750 V

**Confezione:** matasse da mt. 100

## TECHNICAL FEATURES

**Use:** flexible cable for electric tools and building implements

**Rated voltage:** 450/750 V

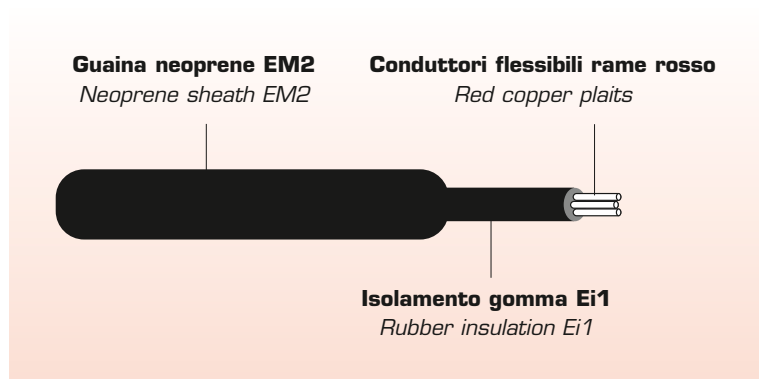
**Packing:** 100 m skeins

Articolo Art.	Sezione mm <sup>2</sup> Section mm <sup>2</sup>	Diametro max esterno mm. Outer max diameter mm.
CTH.21	2 x 1	10.0
CTH.215	2 x 1.5	11.0
CTH.225	2 x 2.5	13.1
CTH.31	3 x 1	10.7
CTH.315	3 x 1.5	11.9
CTH.325	3 x 2.5	14.0
CTH.41	4 x 1	11.9
CTH.415	4 x 1.5	13.1
CTH.425	4 x 2.5	15.5
CTH.44	4 x 4	17.9
CTH.715 *	7 x 1.5	18.7

\* Adatto per paranchi / Suitable for hoists

## TITANEX® HO7RNF

**RESISTENTE ALL'OLIO / OIL RESISTANT**



## CARATTERISTICHE TECNICHE

**Impiego:** cavo flessibile per utensili elettrici e cantieristica

**Tensione nominale:** 450/750 V

**Confezione:** matasse da mt. 100

## TECHNICAL FEATURES

**Use:** flexible cable for electric tools and building implements

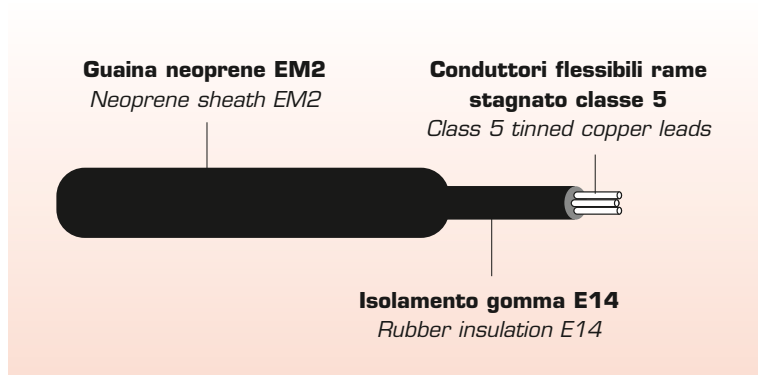
**Rated voltage:** 450/750 V

**Packing:** 100 m skeins

Articolo Art.	Sezione mm <sup>2</sup> Section mm <sup>2</sup>	Diametro max esterno mm. Outer max diameter mm.
CTO.315	3 x 1.5	11.9
CTO.325	3 x 2.5	14.0
CTO.415	4 x 1.5	13.1
CTO.425	4 x 2.5	15.5
CTO.44	4 x 4	17.9
CTO.46	4 x 6	20

# CAVO MULTIUSO IN NEOPRENE NERO H05RNF

## BLACK NEOPRENE MULTIPURPOSE CABLE H05RNF



Articolo Art.	Sezione mm <sup>2</sup> Section mm <sup>2</sup>	Diametro max esterno mm. Outer max diameter mm.
<b>CNH.275</b>	2 x 0.75	6.15
<b>CNH.021</b>	2 x 1	6.70
<b>CNH.375</b>	3 x 0.75	6.75
<b>CNH.031</b>	3 x 1	7.20

### CARATTERISTICHE TECNICHE

Cavo flessibile per uso in locali domestici, cucine, uffici, soggetti a deboli sollecitazioni meccaniche. Per alimentazione apparecchi portatili o mobili leggeri.

**NON ADATTO** per l'impiego permanente all'esterno, in agricoltura, in ambienti industriali o agricoli e per l'alimentazione di utensili elettrici non domestici.

**Tensione nominale:** 300/500 V.

**Temperatura di esercizio:** 60°C.

**Confezione:** matasse da mt. 100.

### TECHNICAL FEATURES

To be used in kitchen, offices and rooms subject to light mechanical stress. As power supply of lightweight portable or mobile devices.

**NOT** to be used outdoor all day long. And as power supply of electric tools in agricultural and industrial environment.

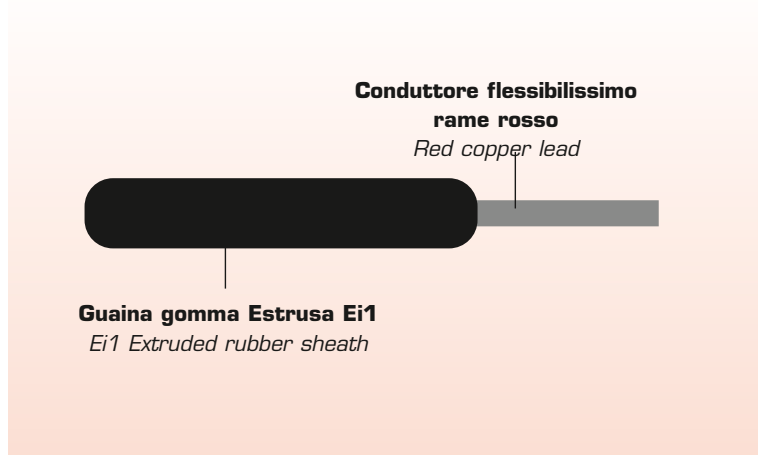
**Rated voltage:** 300/500 V.

**Operating temperature:** 60°C.

**Packing:** 100 m skeins.

# CAVO PER SALDATRICI TITARC NERO

## BLACK TITARC WELDING UNIT CABLE



### CARATTERISTICHE TECNICHE

**Impiego:** La tensione nominale è pari a 100V e deve essere intesa anche come la massima tensione di impiego del cavo, il quale è destinato esclusivamente al collegamento degli elettrodi a pinza con le saldatrici. La tensione massima di impiego in corrente continua è di 200V.

**Temperatura di esercizio max:** 85°C.

**Nastro di carta crespada sul conduttore.**

### TECHNICAL FEATURES

**Use:** Rated voltage 100V This value is to be considered the max. voltage of the cable which is to be used for the connection of welding guns to welding units.

Max d.c. voltage: 200 V.

**Max operating temperature:** 85°C.

**Crepe paper on lead.**

Articolo Art.	Numero conduttori Lead qty	Sezione nominale mm <sup>2</sup> Rated section mm <sup>2</sup>	Diametro esterno max mm. Max. outer diameter mm.	Confezione mt. Packing m.
<b>CTT.116</b>	1X	16	11.2	100
<b>CTT.125</b>	1X	25	12.8	100
<b>CTT.135</b>	1X	35	14.6	100
<b>CTT.150</b>	1X	50	16.8	100
<b>CTT.170</b>	1X	70	19.3	100
<b>CTT.195</b>	1X	95	21.6	50
<b>CTT.1120</b>	1X	120	23.9	50
<b>CTT.1150</b>	1X	150	26.3	50

# CAVO MULTIPOLARE ARANCIO

## ORANGE MULTIPOLAR CABLE



Cavo flessibilissimo isolato in **PVC**, sotto guaina a base di gomma nitrilica.

*Extremely flexible insulated cable in **PVC**, with nitrile rubber sheath.*

Articolo Art.	Sezione mm <sup>2</sup> Section mm <sup>2</sup>	Diametro esterno mm. Outer diameter mm.
<b>CUU.21</b>	2 x 1	6.8
<b>CUU.31</b>	3 x 1	7.2
<b>CUU.215</b>	2 x 1.5	8.0
<b>CUU.315</b>	3 x 1.5	8.7
<b>CUU.225</b>	2 x 2.5	9.0
<b>CUU.325</b>	3 x 2.5	9.5

### CARATTERISTICHE TECNICHE

**Impiego:** per collegamenti mobili particolarmente sollecitati, elettroutensili, lampade portatili, prolunghe per macchine da giardino.

**Tensione nominale:** 300/500 V.

**Confezione:** matasse da mt.100.

### TECHNICAL FEATURES

**Use:** for highly-stressed mobile connections, power tools, portable lamps, extensions for garden machinery.

**Rated voltage:** 300/500 V.

**Packing:** 100 m skeins.

# CAVO MULTIUSO IN NEOPRENE NERO H07RNF

## BLACK NEOPRENE MULTIPURPOSE CABLE H07RNF

Articolo Art.	Sezione mm <sup>2</sup> Section mm <sup>2</sup>	Diametro esterno mm. Outer diameter mm.
<b>CUN.21</b>	2 x 1	8.3
<b>CUN.215</b>	2 x 1.5	9.2
<b>CUN.31</b>	3 x 1	8.9
<b>CUN.315</b>	3 x 1.5	9.9
<b>CUN.325</b>	3 x 2.5	9.9
<b>CUN.41</b>	4 x 1	9.9
<b>CUN.415</b>	4 x 1.5	11.1
<b>CUN.425</b>	4 x 2.5	13.0
<b>CUN.44</b>	4 x 4	14.7

NOVITA  
NEW



### CARATTERISTICHE TECNICHE

**Impiego:** cavo flessibile per utensili elettrici e cantieristica.

**Tensione nominale:** 450/750 V.

**Confezione:** matasse da mt.100.

### TECHNICAL FEATURES

**Use:** flexible cable for electric tools and building implements.

**Rated voltage:** 450/750 V.

**Packing:** 100 m skeins.