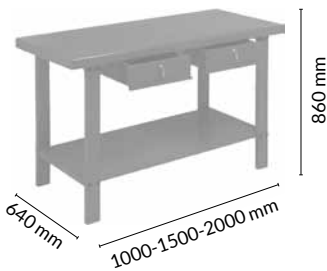


GR70 / GR71
GR72 / GR72-S

GR74 / GR75
GR75-S / GR78

Banco da lavoro
Work bench
Werkstattbank
Etablí pour usine
Banco de trabajo
طاولة عمل



GR70
Lunghezza Length 1000 mm
Peso / Weight 33 kg
Spessore / Thickness 2,5 mm

GR72-S
Lunghezza Length 2000 mm
Peso / Weight 79 kg
Spessore / Thickness 2,5 mm

GR74
Piano in legno / wooden top
Lunghezza Length 1500 mm
Peso / Weight 70 kg
Spessore / Thickness 2,5 mm

GR71
Lunghezza Length 1500 mm
Peso / Weight 60 kg
Spessore / Thickness 2,5 mm

GR78
Piano in legno / wooden top
Lunghezza Length 1000 mm
Peso / Weight 40 kg
Spessore / Thickness 2,5 mm

GR75
Piano in legno / wooden top
Lunghezza Length 2000 mm
Peso / Weight 92 kg
Spessore / Thickness 2,5 mm

GR72
Lunghezza Length 2000 mm
Peso / Weight 79 kg
Spessore / Thickness 2,5 mm

GR75-S
Piano in legno / wooden top
Lunghezza Length 2000 mm
Peso / Weight 92 kg
Spessore / Thickness 2,5 mm

Spessore piano in legno / Thickness wooden top 19 mm

Possibilità di inserire le cassettiere GR13, GR13-G e GR13-A.
Drawers unit GR13, GR13-G, GR13-A can be installed.
Möglichkeit, die kommoden GR13, GR13-G und GR13-A einzufügen.
Possibilité d'insérer les blocs tiroirs GR13, GR13-G et GR13-A.
Posibilidad de introducir las cajoneras GR13, GR13-G y GR13-A
إمكانية إدماج حاملات أدراج GR13، GR13-G و GR13-A

Scorrevolezza dei cassetti su cuscinetti a sfere
The drawers slide easily on ball bearings
Gleitfähigkeit der Schubladen auf Kugellagern
Fluidité des tiroirs sur roulements à billes
Deslizamiento de los cajones sobre cojinetes de bolas
تحرك الأدراج بسلاسة على محامل دائرية



GR4R

Set 4 gambe regolabili per banco

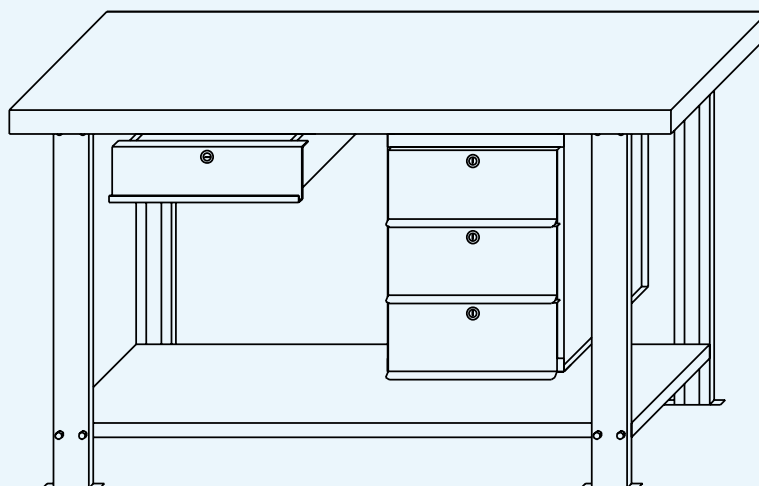
Set 4 adjustable feet for bench

Al posto delle gambe standard, a richiesta si forniscono gambe regolabili per varie altezze: 876, 916, 956 e 996 mm

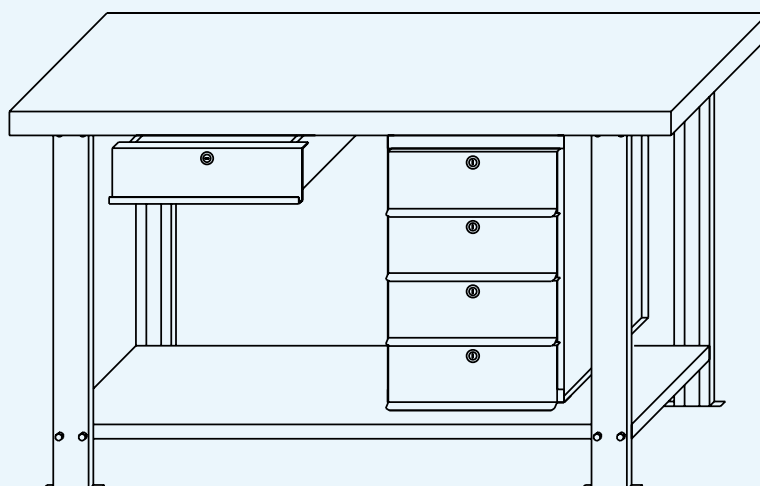
On demand instead of standard feet, adjustable feet on 4 different stands: 876, 916, 956 e 996 mm



GR71 + GRCB + GR13

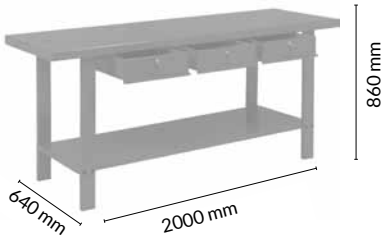


GR71 + GRCB + GR13-G



GR72

Banco da lavoro
Work bench
Werkstattbank
Etablí pour usine
Banco de trabajo
طاولة عمل



GR72
Lunghezza Length 2000 mm
Peso / Weight 79 kg
Spessore / Thickness 2,5 mm

GR72-S
Lunghezza Length 2000 mm
Peso / Weight 79 kg
Spessore / Thickness 2,5 mm

GR72-S

Banco da lavoro
Work bench
Werkstattbank
Etablí pour usine
Banco de trabajo
طاولة عمل



Scorrevolezza dei cassetti su cuscinetti a sfere
The drawers slide easily on ball bearings
Gleitfähigkeit der Schubladen auf Kugellagern
Fluidité des tiroirs sur roulements à billes
Deslizamiento de los cajones sobre cojinetes de bolas
تحرك الأدراج بسلاسة على محامل دائرية



GR4R

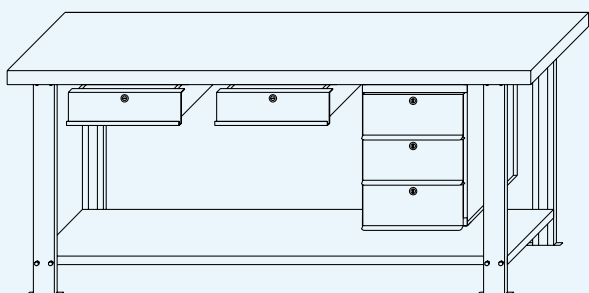
Set 4 gambe regolabili per banco
Set 4 adjustable feet for bench

Al posto delle gambe standard, a richiesta si forniscono gambe regolabili per varie altezze: 876, 916, 956 e 996 mm

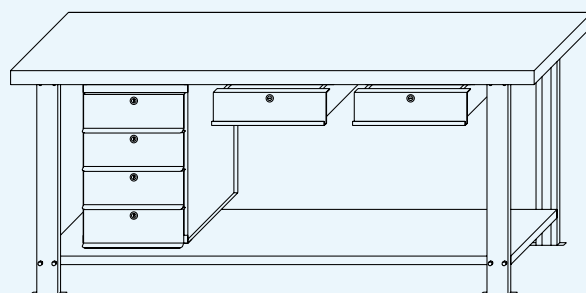
On demand instead of standard feet, adjustable feet on 4 different stands: 876, 916, 956 e 996 mm



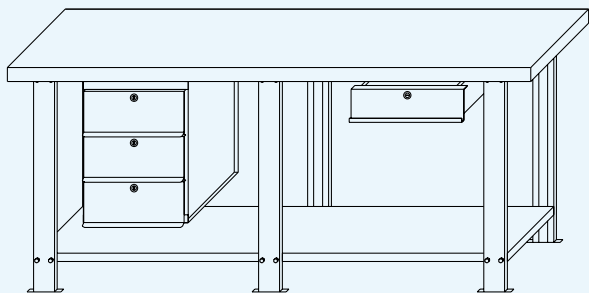
GR72 + 2 GRCB + GR13



GR72 + 2 GRCB + GR13-G



GR72-S + GR13 + GRCB



GR72-S + GRCB + GR13-G

