



EQUIPAGGIAMENTI  
TECNICI  
LAVAGGIO

ATTACCO RAPIDO A GHIERA  
QUICK COUPLING WITH NUT  
**AR7**

①

GB

5 01

22/04/09

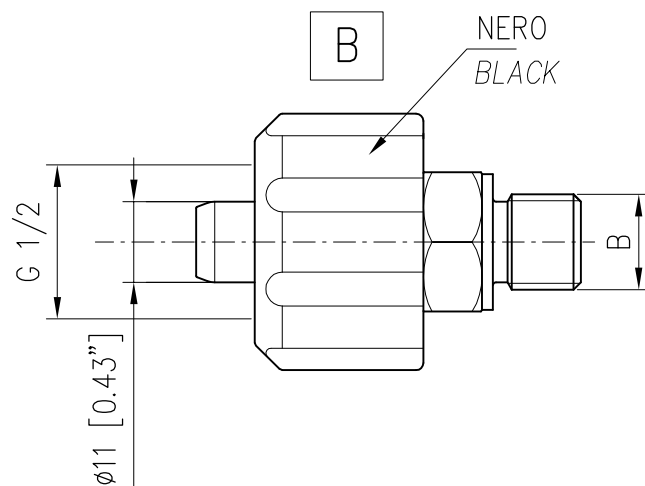
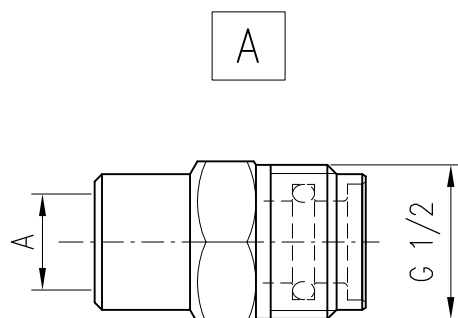
- GHIERA FILETTATA G1/2 RIVESTITA DI NYLON  
NYLON COVERED 1/2 Bsp THREADED NUT
- NIPPLI PARTE A CON OR INTERNO  
PART A NIPPLES WITH INNER O RING
- SPINOTTO  $\phi 11$ mm  
 $\phi 11$ mm SHAFT

### SPECIFICHE TECNICHE SPECIFICATIONS

- PRESSIONE NOMINALE RATED PRESSURE	250 bar – 25 MPa (3650 psi)
- PRESSIONE CONSENTITA PERMISSIBLE PRESSURE	280 bar – 28 MPa (4050 psi)
- PORTATA MASSIMA MAX FLOW RATE	40 l/min (10.5 USG p.m.)
- TEMPERATURA MASSIMA MAX WORKING TEMPERATURE	160° C (320 °F)

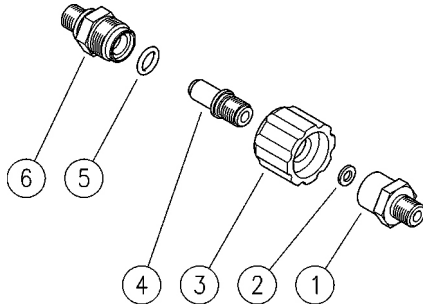
### MISURE D'INGOMBRO OVERALL DIMENSIONS

CODICE CODE	A	B	PESO – WEIGHT gr. – oz.
26.0700.20	G1/4F		66 – 2.3
26.0700.30	G1/4M		56 – 2
26.0700.40	G3/8F		72 – 2.5
26.0700.50	G3/8M		62 – 2.2
26.0750.20		G1/4F	98 – 3.5
26.0750.30		G1/4M	88 – 3.1
26.0750.40		G3/8F	104 – 3.7
26.0750.50		G3/8M	94 – 3.3



26.0700.20 AR7 A G1/2 nippo a ghiera-G1/4F  
 26.0750.20 AR7 B G1/2 3pz att.rap.ghiera G1/4F  
 26.0750.30 AR7 B G1/2 3pz att.rap.ghiera G1/4M

26.0750.40 AR7 B G1/2 3pz att.rap.ghiera G3/8F  
 26.0750.50 AR7 B G1/2 3pz att.rap.ghiera G3/8M

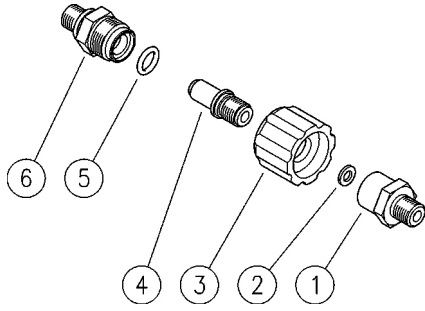


Pos.	Codice	Descrizione	Q.tà	K1	K2	K3	K4	
1	26.0755.61	Raccordo AR7 G1/4 FF (1)	1					1
1	26.0757.61	Raccordo AR7 G1/4 FM (2)	1					3
1	26.0754.61	Raccordo AR7 G1/4 F-G3/8 F (3)	1					3
1	26.0756.61	Raccordo AR7 G1/4 F-G3/8 M (4)	1					1
2	14.3562.05	Rosetta 6x11x1mm Cu	1					10
3	26.0751.22	Girello AR7 G1/2F 14mm nero	1					5
4	26.0753.31	Spinotto AR7 11mm-G1/4M ott.	1					5
5	10.3175.10	An.OR 2,62x10,77 mm Vi 70	1					10
6	26.0704.31	Raccordo G1/2 M -G1/4 F ott. (5)	1					5
6	26.0702.31	Raccordo G1/2 M -G1/4 M ott.	1					5
6	26.0703.31	Raccordo G1/2 M -G3/8 F ott.	1					5
6	26.0701.31	Raccordo G1/2 M-G3/8 M ott.	1					5

(1) 26.0750.20 (2) 26.0750.30 (3) 26.0750.40 (4) 26.0750.50 (5) 26.0700.20

26.0700.20 AR7 A 1/2Bsp screw-type nipple-1/4F Bsp  
 26.0750.20 AR7 B 1/2Bsp 3pcs screw.coupler 1/4F Bsp  
 26.0750.30 AR7 B 1/2Bsp 3pcs screw.coupler 1/4M Bsp

26.0750.40 AR7 B 1/2Bsp 3pcs screw.coupler 3/8F Bsp  
 26.0750.50 AR7 B 1/2Bsp 3pcs screw.coupler 3/8M Bsp



Pos.	P/N	Description	Q.ty	K1	K2	K3	K4	
1	26.0755.61	Fitting -AR7, 1/4 FF Bsp (1)	1					1
1	26.0757.61	Fitting -AR7, 1/4 FM Bsp (2)	1					3
1	26.0754.61	Fitting -AR7, 1/4 F-3/8 F Bsp (3)	1					3
1	26.0756.61	Fitting -AR7, 1/4 F-3/8 M Bsp (4)	1					1
2	14.3562.05	Washer, 6x11x1 mm Cu	1					10
3	26.0751.22	Hand nut -AR7, 1/2F Bsp 14mm black	1					5
4	26.0753.31	Plug-AR7, 11mm-1/4M Bsp brass	1					5
5	10.3175.10	O-ring, 2,62x10,77 mm Vi 70	1					10
6	26.0704.31	Fitting, 1/2 M -1/4 F Bsp brass (5)	1					5
6	26.0702.31	Fitting, 1/2 M -1/4 M Bsp brass	1					5
6	26.0703.31	Fitting, 1/2 M -3/8 F Bsp brass	1					5
6	26.0701.31	Fitting, 1/2 M-3/8 M Bsp brass	1					5

(1) 26.0750.20 (2) 26.0750.30 (3) 26.0750.40 (4) 26.0750.50 (5) 26.0700.20

## **P.A. SpA EQUIPAGGIAMENTI TECNICI DEL LAVAGGIO**

Via Milano, 13 42048 Rubiera - (RE) ITALY  
Tel +39 0522 623611 (ric aut) - Fax +39 0522 629600  
*Info@pa-etl.it - www.pa-etl.it*

---

**COMPANY WITH  
QUALITY SYSTEM  
CERTIFIED BY DNV**

**= ISO 9001 =**