

PIGNONI TRIPLI

Pignone triplo

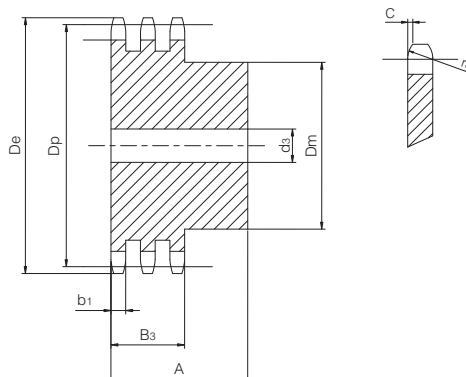
per catene a rulli secondo DIN 8187 - ISO/R 606

ISO 06B-3

Passo 3/8" x 7/32"



PIGNONE	[mm]
Raggio dente r_3	10
Larghezza raggio C	1
Larghezza dente b_1	5,2
Larghezza dente B_3	25,6
CATENA	[mm]
Passo	9,525
Larghezza interna	5,72
Rullo \varnothing	6,35



Z	D_e [mm]	D_p [mm]	D_m [mm]	d_3 [mm]	A [mm]	W [kg]	Codice
8	28,00	24,89	15	8	32	0,05	QPT06B3-008
9	31,00	27,85	18	8	32	0,07	QPT06B3-009
10	34,00	30,82	20	10	32	0,09	QPT06B3-010
11	37,00	33,80	22	10	35	0,11	QPT06B3-011
12	40,00	36,80	25	10	35	0,15	QPT06B3-012
13	43,00	39,79	28	10	35	0,19	QPT06B3-013
14	46,30	42,80	31	12	35	0,23	QPT06B3-014
15	49,30	45,81	34	12	35	0,28	QPT06B3-015
16	52,30	48,82	37	12	35	0,33	QPT06B3-016
17	55,30	51,83	40	12	35	0,39	QPT06B3-017
18	58,30	54,85	43	12	35	0,45	QPT06B3-018
19	61,30	57,87	46	12	35	0,51	QPT06B3-019
20	64,30	60,89	49	12	35	0,58	QPT06B3-020
21	68,00	63,91	52	14	40	0,70	QPT06B3-021
22	71,00	66,93	55	14	40	0,78	QPT06B3-022
23	73,50	69,95	58	14	40	0,87	QPT06B3-023
24	77,00	72,97	61	14	40	0,97	QPT06B3-024
25	80,00	76,02	64	14	40	1,06	QPT06B3-025
26	83,00	79,02	67	14	40	1,17	QPT06B3-026
27	86,00	82,02	70	14	40	1,27	QPT06B3-027
28	89,00	85,07	73	14	40	1,39	QPT06B3-028
29	92,00	88,09	76	14	40	1,50	QPT06B3-029
30	94,70	91,12	79	14	40	1,62	QPT06B3-030
31	98,30	94,15	80	16	40	1,72	QPT06B3-031
32	101,30	97,17	80	16	40	1,80	QPT06B3-032
33	104,30	100,20	80	16	40	1,89	QPT06B3-033
34	107,30	103,23	85	16	40	2,06	QPT06B3-034
35	110,40	106,26	85	16	40	2,15	QPT06B3-035
36	113,40	109,29	90	16	40	2,33	QPT06B3-036
37	116,40	112,32	90	16	40	2,43	QPT06B3-037
38	119,50	115,35	90	16	40	2,53	QPT06B3-038
39	122,50	118,37	90	16	40	2,63	QPT06B3-039
40	125,50	121,40	90	16	40	2,74	QPT06B3-040

Materiale: C45

D_e	Diametro esterno	mm
D_p	Diametro primitivo	mm
D_m	Diametro mozzo	mm
W	Peso	kg

Pignone triplo

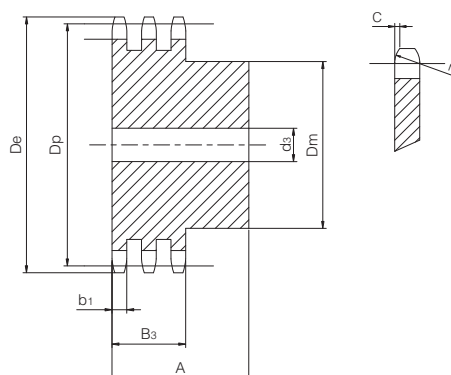
per catene a rulli secondo DIN 8187 - ISO/R 606

ISO 08B-3

Passo 1/2" x 5/16"



PIGNONE	[mm]
Raggio dente r_3	13
Larghezza raggio C	1,3
Larghezza dente b_1	7
Larghezza dente B_3	34,9
CATENA	[mm]
Passo	12,7
Larghezza interna	7,75
Rullo \varnothing	8,51



Z	D _e [mm]	D _p [mm]	D _m [mm]	d ₃ [mm]	A [mm]	W [kg]	Codice
8	37,00	33,18	20	10	46	0,13	QPT08B3-008
9	41,00	37,13	24	12	46	0,18	QPT08B3-009
10	45,20	41,10	28	12	46	0,24	QPT08B3-010
11	48,70	45,07	32	14	50	0,31	QPT08B3-011
12	53,00	49,07	35	14	50	0,39	QPT08B3-012
13	57,40	53,06	38	14	50	0,49	QPT08B3-013
14	61,80	57,07	42	14	50	0,60	QPT08B3-014
15	65,50	61,09	46	14	50	0,72	QPT08B3-015
16	69,50	65,10	50	16	50	0,85	QPT08B3-016
17	73,60	69,11	54	16	50	0,99	QPT08B3-017
18	77,80	73,14	58	16	50	1,14	QPT08B3-018
19	81,70	77,16	62	16	50	1,30	QPT08B3-019
20	85,80	81,19	66	16	50	1,47	QPT08B3-020
21	89,70	85,22	70	16	55	1,79	QPT08B3-021
22	93,80	89,24	70	16	55	1,93	QPT08B3-022
23	98,20	93,27	70	16	55	2,08	QPT08B3-023
24	101,80	97,29	75	16	55	2,32	QPT08B3-024
25	105,80	101,33	80	16	55	2,57	QPT08B3-025
26	110,00	105,36	85	20	55	2,79	QPT08B3-026
27	114,00	109,40	85	20	55	2,96	QPT08B3-027
28	118,00	113,42	90	20	55	3,25	QPT08B3-028
29	122,00	117,46	95	20	55	3,55	QPT08B3-029
30	126,10	121,50	100	20	55	3,86	QPT08B3-030
31	130,20	125,54	110	20	55	4,32	QPT08B3-031
32	134,30	129,56	110	20	55	4,53	QPT08B3-032
33	138,40	133,60	110	20	55	4,74	QPT08B3-033
34	142,60	137,64	110	20	55	4,97	QPT08B3-034
35	146,70	141,68	110	20	55	5,20	QPT08B3-035
36	151,00	145,72	120	25	55	5,64	QPT08B3-036
37	154,60	149,76	120	25	55	5,88	QPT08B3-037
38	158,60	153,80	120	25	55	6,14	QPT08B3-038
39	162,70	157,83	120	25	55	6,40	QPT08B3-039
40	166,80	161,87	120	25	55	6,66	QPT08B3-040

Materiale: C45

D _e	Diametro esterno	mm
D _p	Diametro primitivo	mm
D _m	Diametro mozzo	mm
W	Peso	kg

Pignone triplo

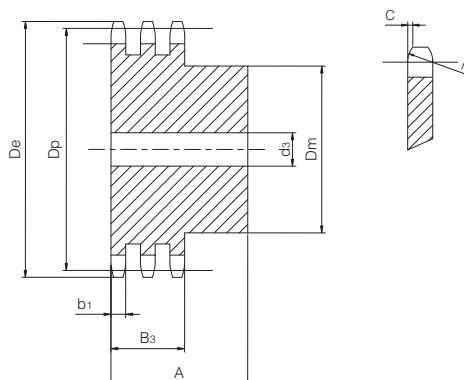
per catene a rulli secondo DIN 8187 - ISO/R 606

ISO 10B-3

Passo 5/8" x 3/8"



PIGNONE	[mm]
Raggio dente r_3	16
Larghezza raggio C	1,6
Larghezza dente b_1	9
Larghezza dente B_3	42,1
CATENA	[mm]
Passo	15,875
Larghezza interna	9,65
Rullo \varnothing	10,16



Z	D_e [mm]	D_p [mm]	D_m [mm]	d_3 [mm]	A [mm]	W [kg]	Codice
8	47,00	41,48	25	12	55	0,27	QPT10B3-008
9	52,60	46,42	30	12	55	0,38	QPT10B3-009
10	57,50	51,37	35	12	55	0,47	QPT10B3-010
11	63,00	56,34	39	16	55	0,61	QPT10B3-011
12	68,00	61,34	44	16	55	0,78	QPT10B3-012
13	73,00	66,32	49	16	55	0,96	QPT10B3-013
14	78,00	71,34	54	16	55	1,15	QPT10B3-014
15	83,00	76,36	59	16	55	1,37	QPT10B3-015
16	88,00	81,37	64	16	60	1,72	QPT10B3-016
17	93,00	86,39	69	16	60	1,99	QPT10B3-017
18	98,30	91,42	74	16	60	2,27	QPT10B3-018
19	103,30	96,45	79	16	60	2,58	QPT10B3-019
20	108,40	101,49	84	16	60	2,91	QPT10B3-020
21	113,40	106,52	85	20	60	3,12	QPT10B3-021
22	118,00	111,55	90	20	60	3,48	QPT10B3-022
23	123,50	116,58	95	20	60	3,86	QPT10B3-023
24	128,30	121,62	100	20	60	4,25	QPT10B3-024
25	134,00	126,66	105	20	60	4,67	QPT10B3-025
26	139,00	131,70	110	20	60	5,10	QPT10B3-026
27	144,00	136,75	110	20	60	5,43	QPT10B3-027
28	148,70	141,78	115	20	60	5,90	QPT10B3-028
29	153,80	146,83	115	20	60	6,25	QPT10B3-029
30	158,80	151,87	120	20	60	6,65	QPT10B3-030
31	163,90	156,92	120	20	60	7,18	QPT10B3-031
32	168,90	161,95	120	20	60	7,56	QPT10B3-032
33	174,50	167,00	120	20	60	7,97	QPT10B3-033
34	179,00	172,05	120	20	60	8,36	QPT10B3-034
35	184,10	177,10	120	20	60	8,74	QPT10B3-035
36	189,10	182,15	120	25	60	9,15	QPT10B3-036
37	194,20	187,20	120	25	60	9,61	QPT10B3-037
38	199,20	192,24	120	25	60	10,08	QPT10B3-038
39	204,20	197,29	120	25	60	10,57	QPT10B3-039
40	209,30	202,34	120	25	60	11,07	QPT10B3-040

Materiale: C45

D_e	Diametro esterno	mm
D_p	Diametro primitivo	mm
D_m	Diametro mozzo	mm
W	Peso	kg

Pignone triplo

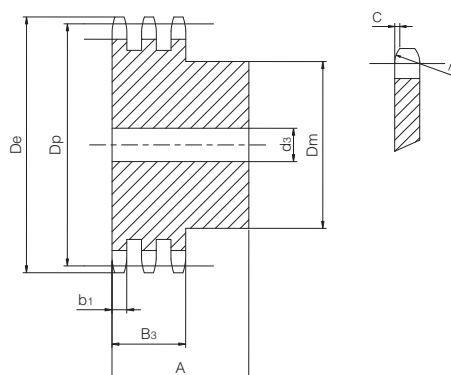
per catene a rulli secondo DIN 8187 - ISO/R 606

ISO 12B-3

Passo 3/4" x 7/16"



PIGNONE	[mm]
Raggio dente r_3	19
Larghezza raggio C	2
Larghezza dente b_1	10,8
Larghezza dente B_3	49,8
CATENA	[mm]
Passo	19,05
Larghezza interna	11,68
Rullo \varnothing	12,07



Z	D _e [mm]	D _p [mm]	D _m [mm]	d ₃ [mm]	A [mm]	W [kg]	Codice
8	57,30	49,78	31	16	65	0,45	QPT12B3-008
9	62,00	55,70	37	16	65	0,64	QPT12B3-009
10	69,00	61,64	42	16	65	0,86	QPT12B3-010
11	75,00	67,61	47	20	70	1,09	QPT12B3-011
12	81,50	73,60	53	20	70	1,39	QPT12B3-012
13	87,50	79,59	59	20	70	1,72	QPT12B3-013
14	93,60	85,61	65	20	70	2,08	QPT12B3-014
15	99,80	91,63	71	20	70	2,47	QPT12B3-015
16	105,50	97,65	77	20	70	2,89	QPT12B3-016
17	111,50	103,67	83	20	70	3,34	QPT12B3-017
18	118,00	109,71	89	20	70	3,83	QPT12B3-018
19	124,20	115,75	95	20	70	4,35	QPT12B3-019
20	129,70	121,78	100	20	70	4,87	QPT12B3-020
21	136,00	127,82	100	20	70	5,20	QPT12B3-021
22	141,00	133,86	100	20	70	5,65	QPT12B3-022
23	149,00	139,90	110	20	70	6,38	QPT12B3-023
24	153,90	145,94	110	20	70	6,87	QPT12B3-024
25	160,00	152,00	120	20	70	7,77	QPT12B3-025
26	165,90	158,04	120	20	70	8,21	QPT12B3-026
27	172,30	164,09	120	20	70	8,77	QPT12B3-027
28	178,00	170,13	120	20	70	9,35	QPT12B3-028
29	184,10	176,19	120	20	70	9,96	QPT12B3-029
30	190,50	182,25	120	20	70	10,59	QPT12B3-030
31	196,30	188,31	130	25	70	11,55	QPT12B3-031
32	203,30	194,35	130	25	70	12,22	QPT12B3-032
33	209,30	200,40	130	25	70	12,92	QPT12B3-033
34	214,60	206,46	130	25	70	13,64	QPT12B3-034
35	221,00	212,52	130	25	70	14,38	QPT12B3-035
36	226,80	218,58	130	25	70	15,14	QPT12B3-036
37	232,90	224,64	130	25	70	15,93	QPT12B3-037
38	239,00	230,69	130	25	70	16,73	QPT12B3-038
39	245,10	236,75	130	25	70	17,57	QPT12B3-039
40	251,30	242,81	130	25	70	18,42	QPT12B3-040
45	282,50	273,09	*140	25	70	23,55	QPT12B3-045
50	312,30	303,39	*140	25	70	30,00	QPT12B3-050
57	355,40	345,81	*140	25	70	37,16	QPT12B3-057
76	469,90	460,98	*140	25	70	65,41	QPT12B3-076
95	585,10	576,17	*140	25	70	101,37	QPT12B3-095
114	700,60	691,36	*140	25	70	137,33	QPT12B3-114

Materiale: C45 (Fe360B con Z ≥ 45)

* = Mozzo saldato

D _e	Diametro esterno	mm
D _p	Diametro primitivo	mm
D _m	Diametro mozzo	mm
W	Peso	kg

Pignone triplo

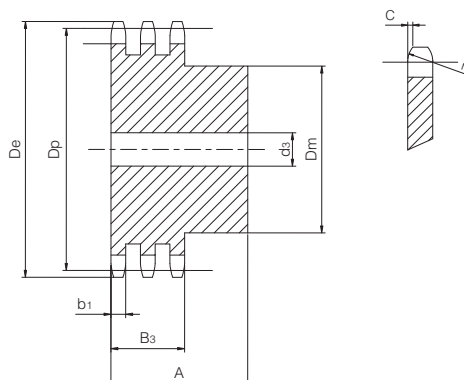
per catene a rulli secondo DIN 8187 - ISO/R 606

ISO 16B-3

Passo 1" x 17,02 mm



PIGNONE	[mm]
Raggio dente r_3	26
Larghezza raggio C	2,5
Larghezza dente b_1	15,8
Larghezza dente B_3	79,6
CATENA	[mm]
Passo	25,4
Larghezza interna	17,02
Rullo \varnothing	15,88



Z	D_e [mm]	D_p [mm]	D_m [mm]	d_3 [mm]	A [mm]	W [kg]	Codice
8	77,00	66,37	42	20	95	1,19	QPT16B3-008
9	85,00	74,27	50	20	95	1,68	QPT16B3-009
10	93,00	82,19	56	20	95	2,24	QPT16B3-010
11	101,50	90,14	64	25	100	2,86	QPT16B3-011
12	109,00	98,14	72	25	100	3,62	QPT16B3-012
13	117,00	106,12	80	25	100	4,45	QPT16B3-013
14	125,00	114,15	88	25	100	5,37	QPT16B3-014
15	133,00	122,17	96	25	100	6,37	QPT16B3-015
16	141,00	130,20	104	25	100	7,45	QPT16B3-016
17	149,00	138,22	112	25	100	8,60	QPT16B3-017
18	157,00	146,28	120	25	100	9,84	QPT16B3-018
19	165,20	154,33	128	25	100	11,16	QPT16B3-019
20	173,20	162,38	130	25	100	12,36	QPT16B3-020
21	181,20	170,43	*130	25	100	13,56	QPT16B3-021
22	189,30	178,48	*130	25	100	14,82	QPT16B3-022
23	197,50	186,53	*130	25	100	16,15	QPT16B3-023
24	205,50	194,59	*130	25	100	17,53	QPT16B3-024
25	213,50	202,66	*130	25	100	18,99	QPT16B3-025
26	221,60	210,72	*130	30	100	20,34	QPT16B3-026
27	229,60	218,79	*130	30	100	21,92	QPT16B3-027
28	237,70	226,85	*130	30	100	23,57	QPT16B3-028
29	245,80	234,92	*130	30	100	25,27	QPT16B3-029
30	254,00	243,00	*130	30	100	27,05	QPT16B3-030
31	262,00	251,08	*140	30	100	29,23	QPT16B3-031
32	270,00	259,13	*140	30	100	31,13	QPT16B3-032
33	278,50	267,21	*140	30	100	33,10	QPT16B3-033
34	287,00	275,28	*140	30	100	35,13	QPT16B3-034
35	296,20	283,36	*140	30	100	37,23	QPT16B3-035
36	304,60	291,44	*140	30	100	39,39	QPT16B3-036
37	312,60	299,51	*140	30	100	41,65	QPT16B3-037
38	320,70	307,59	*140	30	100	43,90	QPT16B3-038
39	328,80	315,67	*140	30	100	46,29	QPT16B3-039
40	336,90	323,75	*140	30	100	48,67	QPT16B3-040
45	377,10	364,12	*160	30	100	63,94	QPT16B3-045
50	417,40	404,52	*160	30	100	80,00	QPT16B3-050
57	474,00	461,08	*180	30	110	103,03	QPT16B3-057
76	627,00	614,64	*180	30	110	181,86	QPT16B3-076
95	781,10	768,22	*180	30	110	283,85	QPT16B3-095
114	934,30	921,81	*180	30	110	385,84	QPT16B3-114

Materiale: C45 (Fe360B con $Z \geq 21$)
* = Mozzo saldato

D_e	Diametro esterno	mm
D_p	Diametro primitivo	mm
D_m	Diametro mozzo	mm
W	Peso	kg

Pignone triplo

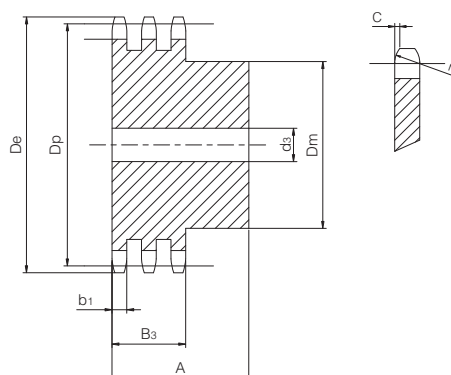
per catene a rulli secondo DIN 8187 - ISO/R 606

ISO 20B-3

Passo 1" 1/4 x 3/4"



PIGNONE	[mm]
Raggio dente r_3	32
Larghezza raggio C	3,5
Larghezza dente b_1	18,2
Larghezza dente B_3	91
CATENA	[mm]
Passo	31,75
Larghezza interna	19,56
Rullo \varnothing	19,05



Z	D _e [mm]	D _p [mm]	D _m [mm]	d ₃ [mm]	A [mm]	W [kg]	Codice
8	98,10	82,96	53	20	110	2,15	QPT20B3-008
9	108,00	92,84	63	20	110	3,05	QPT20B3-009
10	117,90	102,74	70	20	110	4,04	QPT20B3-010
11	127,80	112,68	80	20	115	5,19	QPT20B3-011
12	137,80	122,68	90	20	115	6,55	QPT20B3-012
13	147,80	132,65	100	20	115	8,06	QPT20B3-013
14	157,80	142,68	110	20	115	9,71	QPT20B3-014
15	167,90	152,72	120	20	115	11,50	QPT20B3-015
16	177,90	162,75	120	25	115	13,06	QPT20B3-016
17	187,90	172,78	120	25	115	14,65	QPT20B3-017
18	198,00	182,85	*120	25	115	16,54	QPT20B3-018
19	208,10	192,91	*120	25	115	18,45	QPT20B3-019
20	218,10	202,98	*120	25	115	20,48	QPT20B3-020
21	228,20	213,04	*140	25	115	23,38	QPT20B3-021
22	238,30	223,11	*140	25	115	25,64	QPT20B3-022
23	248,30	233,17	*140	25	115	28,00	QPT20B3-023
24	258,40	243,23	*140	25	115	30,49	QPT20B3-024
25	268,50	253,33	*140	25	115	33,09	QPT20B3-025
26	278,60	263,40	*150	25	115	36,23	QPT20B3-026
27	288,60	273,49	*150	25	115	39,06	QPT20B3-027
28	298,70	283,56	*150	25	115	42,00	QPT20B3-028
29	308,80	293,65	*150	25	115	45,12	QPT20B3-029
30	318,90	303,75	*150	25	115	48,23	QPT20B3-030
31	329,00	313,85	*150	30	115	51,57	QPT20B3-031
32	339,10	323,91	*150	30	115	54,91	QPT20B3-032
33	349,20	334,01	*150	30	115	58,49	QPT20B3-033
34	359,30	344,10	*150	30	115	62,06	QPT20B3-034
35	369,40	354,20	*150	30	115	65,80	QPT20B3-035
36	379,50	364,30	*150	30	115	69,66	QPT20B3-036
37	389,50	374,39	*150	30	115	73,69	QPT20B3-037
38	399,60	384,49	*150	30	115	77,72	QPT20B3-038
39	409,70	394,59	*150	30	115	81,98	QPT20B3-039
40	419,80	404,69	*150	30	115	86,24	QPT20B3-040

Materiale: C45 (Fe360B con Z ≥ 18)

* = Mozzo saldato

D _e	Diametro esterno	mm
D _p	Diametro primitivo	mm
D _m	Diametro mozzo	mm
W	Peso	kg

Pignone triplo

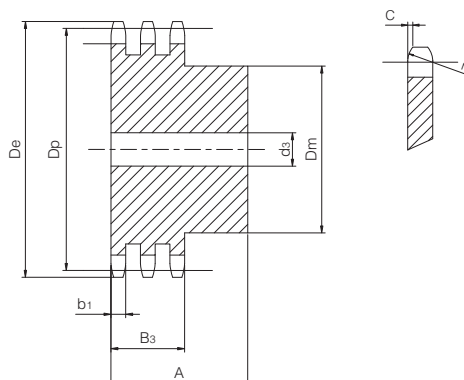
per catene a rulli secondo DIN 8187 - ISO/R 606

ISO 24B-3

Passo 1" 1/2 x 1"



PIGNONE	[mm]
Raggio dente r_3	38
Larghezza raggio C	4
Larghezza dente b_1	23,6
Larghezza dente B_3	120,3
CATENA	[mm]
Passo	38,1
Larghezza interna	25,4
Rullo \varnothing	25,4



Z	D _e [mm]	D _p [mm]	D _m [mm]	d ₃ [mm]	A [mm]	W [kg]	Codice
8	115,00	99,55	58	25	140	4,00	QPT24B3-008
9	126,40	111,40	70	25	140	5,62	QPT24B3-009
10	138,00	123,29	80	25	140	7,45	QPT24B3-010
11	150,00	135,21	90	25	150	9,73	QPT24B3-011
12	162,00	147,22	102	25	150	12,24	QPT24B3-012
13	174,20	159,18	114	25	150	15,02	QPT24B3-013
14	186,20	171,22	128	25	150	18,16	QPT24B3-014
15	198,20	183,26	132	25	150	21,09	QPT24B3-015
16	210,30	195,30	*136	25	150	24,25	QPT24B3-016
17	222,30	207,34	*140	25	150	27,42	QPT24B3-017
18	234,30	219,42	*150	25	150	32,12	QPT24B3-018
19	246,50	231,49	*160	25	150	35,74	QPT24B3-019
20	258,60	243,57	*160	25	150	39,57	QPT24B3-020
21	270,60	255,65	*160	30	150	42,98	QPT24B3-021
22	282,70	267,73	*160	30	150	47,25	QPT24B3-022
23	294,80	279,80	*160	30	150	51,74	QPT24B3-023
24	306,80	291,88	*160	30	150	56,44	QPT24B3-024
25	319,00	304,00	*160	30	150	61,37	QPT24B3-025
26	331,00	316,08	*160	30	150	66,52	QPT24B3-026
27	343,20	328,19	*160	30	150	71,88	QPT24B3-027
28	355,20	340,27	*160	30	150	77,46	QPT24B3-028
29	367,30	352,38	*160	30	150	83,37	QPT24B3-029
30	379,50	364,50	*160	40	150	89,28	QPT24B3-030
31	391,60	376,62	*160	40	150	95,63	QPT24B3-031
32	403,70	388,69	*160	40	150	101,97	QPT24B3-032
33	415,80	400,81	*160	40	150	108,86	QPT24B3-033
34	427,80	412,93	*160	40	150	115,75	QPT24B3-034
35	440,00	425,04	*160	40	150	122,64	QPT24B3-035
36	452,00	437,16	*160	40	150	130,19	QPT24B3-036
37	464,20	449,27	*160	40	150	137,73	QPT24B3-037
38	476,20	461,39	*160	40	150	145,28	QPT24B3-038
39	488,50	473,50	*160	40	150	153,37	QPT24B3-039
40	500,60	485,62	*160	40	150	161,46	QPT24B3-040

Materiale: C45 (Fe360B con Z ≥ 16)
* = Mozzo saldato

D _e	Diametro esterno	mm
D _p	Diametro primitivo	mm
D _m	Diametro mozzo	mm
W	Peso	kg

Pignone triplo

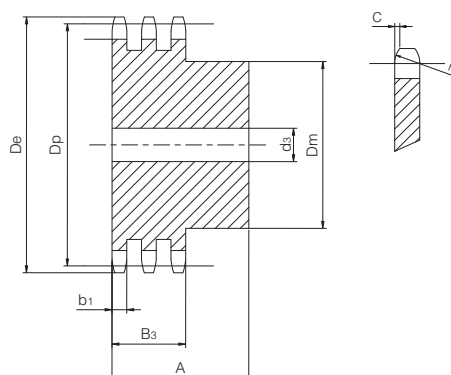
per catene a rulli secondo DIN 8187 - ISO/R 606

ISO 28B-3

Passo 1" 3/4 x 1" 1/4



PIGNONE	[mm]
Raggio dente r_3	44
Larghezza raggio C	5
Larghezza dente b_1	28,8
Larghezza dente B_3	148
CATENA	[mm]
Passo	44,45
Larghezza interna	30,99
Rullo \varnothing	27,94



Z	D _e [mm]	D _p [mm]	D _m [mm]	d ₃ [mm]	A [mm]	W [kg]	Codice
8	132,00	116,15	74	30	180	7,04	QPT28B3-008
9	148,40	129,96	88	30	180	9,89	QPT28B3-009
10	162,30	143,85	100	30	180	13,10	QPT28B3-010
11	176,30	157,77	112	30	180	16,73	QPT28B3-011
12	189,50	171,74	125	30	180	20,84	QPT28B3-012
13	204,20	185,74	*125	30	180	24,70	QPT28B3-013
14	218,20	199,76	*125	30	180	28,93	QPT28B3-014
15	232,30	213,79	*145	30	180	34,58	QPT28B3-015
16	246,30	227,84	*160	30	180	40,44	QPT28B3-016
17	260,00	241,91	*160	30	180	45,77	QPT28B3-017
18	274,00	255,98	*160	30	180	51,76	QPT28B3-018
19	289,00	270,06	*180	30	180	58,07	QPT28B3-019
20	303,00	284,15	*180	30	180	64,49	QPT28B3-020
21	317,00	298,24	*180	30	180	71,28	QPT28B3-021
22	331,00	312,34	*180	30	180	78,61	QPT28B3-022
23	345,00	326,44	*180	30	180	85,94	QPT28B3-023
24	359,00	340,55	*180	30	180	99,01	QPT28B3-024
25	373,00	354,66	*180	40	180	112,07	QPT28B3-025
26	387,00	368,77	*180	40	180	119,41	QPT28B3-026
27	401,40	382,88	*180	40	180	126,76	QPT28B3-027
28	416,00	397,00	*180	40	180	134,10	QPT28B3-028
29	430,00	411,12	*180	40	180	141,45	QPT28B3-029
30	444,00	425,24	*180	40	180	148,79	QPT28B3-030
31	458,00	439,37	*180	40	180	180,53	QPT28B3-031
35	514,00	495,88	*200	40	180	212,27	QPT28B3-035
38	557,00	538,27	*200	40	180	244,01	QPT28B3-038
40	585,00	566,54	*200	40	180	271,10	QPT28B3-040

Materiale: C45 (Fe360B con Z ≥ 13)

* = Mozzo saldato

D _e	Diametro esterno	mm
D _p	Diametro primitivo	mm
D _m	Diametro mozzo	mm
W	Peso	kg

Pignone triplo

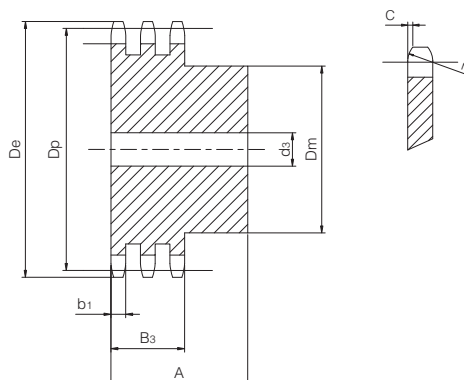
per catene a rulli secondo DIN 8187 - ISO/R 606

ISO 32B-3

Passo 2" x 1" 1/4



PIGNONE	[mm]
Raggio dente r_3	51
Larghezza raggio C	6
Larghezza dente b_1	28,8
Larghezza dente B_3	146
CATENA	[mm]
Passo	50,8
Larghezza interna	30,99
Rullo \varnothing	29,21



Z	D _e [mm]	D _p [mm]	D _m [mm]	d ₃ [mm]	A [mm]	W [kg]	Codice
8	153,00	132,69	82	30	180	9,90	QPT32B3-008
9	169,00	148,54	88	30	180	13,65	QPT32B3-009
10	185,00	164,44	104	30	180	17,97	QPT32B3-010
11	200,80	180,34	120	30	180	22,22	QPT32B3-011
12	216,80	196,29	*133	30	180	27,23	QPT32B3-012
13	232,80	212,29	*145	30	180	32,98	QPT32B3-013
14	248,80	228,29	*145	30	180	38,50	QPT32B3-014
15	264,80	244,30	*160	30	180	45,04	QPT32B3-015
16	280,90	260,40	*160	30	180	51,50	QPT32B3-016
17	296,90	276,40	*180	30	180	61,45	QPT32B3-017
18	313,00	292,55	*180	30	180	68,85	QPT32B3-018
19	329,10	308,66	*200	30	180	76,73	QPT32B3-019
20	345,20	324,71	*200	30	180	85,07	QPT32B3-020
21	361,30	340,82	*200	40	180	93,89	QPT32B3-021
22	377,50	356,98	*200	40	180	103,41	QPT32B3-022
23	393,60	373,08	*200	40	180	112,93	QPT32B3-023
24	409,70	389,18	*200	40	180	123,40	QPT32B3-024
25	425,80	405,33	*200	40	180	133,86	QPT32B3-025
26	441,90	421,44	*200	40	180	149,00	QPT32B3-026
27	458,10	437,59	*200	40	180	164,14	QPT32B3-027
28	474,20	453,69	*200	40	180	179,28	QPT32B3-028
30	506,50	486,00	*200	40	180	194,42	QPT32B3-030

Materiale: C45 (Fe360B con Z ≥ 12)
* = Mozzo saldato

D _e	Diametro esterno	mm
D _p	Diametro primitivo	mm
D _m	Diametro mozzo	mm
W	Peso	kg